

EPSON

User's Guide

Home Projector

EH-QL7000B

EH-QL7000W

EH-QL3000B

EH-QL3000W

Notations Used in This Guide 7

Using the Manual to Search for Information 8

- Searching by Keyword 8
- Jumping Directly from Bookmarks 8
- Printing Only the Pages You Need 8

Getting the Latest Version of the Documents 9

Introduction to Your Projector 10

Projector Parts and Functions 11

- Projector Parts - Front/Top 11
- Projector Parts - Rear 13
- Projector Parts - Interface 14
- Projector Parts - Base 15
 - Installing the Safety Wire 16
- Projector Parts - Control Panel 17
- Projector Parts - Remote Control 18
 - Installing Batteries in the Remote Control 21
 - Remote Control Operation 21

Setting Up the Projector 23

Notes on Transporting 24

Precautions on Installation 25

Attaching and Removing a Lens 28

- Attaching a Lens 28
- Removing a Lens 32

Attaching and Removing the Vanity Board 34

Attaching and Removing the Cable Cover 35

Operating the Projector Power 37

- Turning On the Projector 37

- Turning Off the Projector 38

Wired Network Connection 39

- Connecting to a Wired Network 39
- Selecting Wired Network Settings 39

Secure HTTP 41

- Importing a Web Server Certificate Using the Menus 41
- Supported Web Server Certificates 41

Adjusting the Menu Settings 43

Using the Projector's Menus 44

Using the Displayed Keyboard 45

- Available Text Using the Displayed Keyboard 45

Using Basic Projector Features 46

- Setting Up the Projector 46
 - Messages 46
 - Standby Confirmation 46
 - Sleep Mode 46
 - Indicators 46
 - Date & Time 47
 - Language 47
- Projecting Images 47
 - Source Search 47
 - A/V Mute 47
 - Volume 47
 - Aspect 48
 - Projection 48
 - Test Pattern 48
 - Content Playback 48
 - Display Background 49
 - Startup Screen 49
- Adjusting the Image Position and Shape 49
 - Lens Shift 49
 - Zoom 50

| | | | |
|---|-----------|--|-----------|
| H/V-Keystone | 50 | Sharpness | 60 |
| Quick Corner | 50 | White Balance | 60 |
| Curved Surface | 50 | Color Matching | 60 |
| Corner Wall | 50 | Image Preset Mode | 61 |
| Point Correction | 51 | Frame Interpolation | 61 |
| Adjusting the Image Quality | 51 | Super-resolution | 61 |
| Focus/Distortion | 51 | Auto Contrast Enhancement | 61 |
| Color Mode | 51 | Dynamic Tone Mapping | 61 |
| Image Enhancement | 52 | Scene Adaptive Gamma | 62 |
| Dynamic Tone Mapping | 52 | Gamma | 62 |
| Gamma | 52 | RGBCMY | 62 |
| RGBCMY | 52 | Dynamic Contrast | 62 |
| Light Output | 52 | Lights-Out Control | 62 |
| Maintaining the Projector Quality | 53 | Reset (Image menu) | 63 |
| Panel Alignment | 53 | Signal Menu | 64 |
| Color Uniformity | 53 | Aspect | 64 |
| Refresh Mode | 53 | Blanking | 64 |
| Light Source Calibration | 53 | Color Space | 64 |
| Managing the Projector's Settings | 53 | Dynamic Range | 65 |
| Memory | 54 | Video Range | 65 |
| Control Panel Lock | 54 | EDID | 65 |
| Lens Lock | 54 | Image Processing | 65 |
| Copying Menu Settings Between Projectors (Batch Setup) | 55 | Reset (Signal menu) | 66 |
| Transferring Settings From a USB Flash Drive | 55 | Settings Menu | 67 |
| Transferring Settings From a Computer | 56 | Geometry Correction | 67 |
| Batch Setup Error Notification | 57 | Volume | 68 |
| Menu Settings | 58 | HDMI Link | 69 |
| Image Menu | 59 | Control Panel Lock | 69 |
| Light Output | 59 | Lens Lock | 69 |
| Color Mode | 59 | Remote Receiver | 69 |
| Brightness | 59 | User Button | 70 |
| Contrast | 59 | Test Pattern | 70 |
| Color Saturation | 60 | Memory | 70 |
| Tint | 60 | Content Playback | 71 |
| | | Creating Playlists Using Epson Web Control | 71 |
| | | Supported Content Playback Mode File Types | 72 |
| | | Content Playback Mode Restrictions | 73 |

| | | | |
|------------------------------|-----------|--------------------------------|-----------|
| Reset (Settings menu) | 73 | Web Control Password | 81 |
| Extended Menu | 74 | Monitor Password | 81 |
| Menu Position | 74 | Moderator Password | 81 |
| Message Position | 74 | Projector Keyword | 81 |
| Messages | 74 | Display Keyword | 81 |
| Display Background | 74 | Display LAN Info. | 81 |
| Startup Screen | 74 | IP Settings | 82 |
| Standby Confirmation | 75 | IP Address Display | 82 |
| Air Filter Notice | 75 | IPv6 Settings | 82 |
| Panel Alignment | 75 | Secure HTTP | 82 |
| Color Uniformity | 75 | Web Server Certificate | 82 |
| OSD Rotation | 76 | Web API Settings | 83 |
| User's Logo | 76 | Basic Control | 83 |
| Projection | 76 | PJLink | 83 |
| Direct Power On | 76 | PJLink Notification | 83 |
| Sleep Mode | 76 | Notified IP Address | 83 |
| Sleep Mode Timer | 77 | AMX Device Discovery | 83 |
| High Altitude Mode | 77 | Crestron Connected | 84 |
| Auto Source Search | 77 | Crestron XiO Cloud | 84 |
| Startup Source | 77 | Control4 SDDP | 84 |
| A/V Mute Settings | 77 | Reset (Network menu) | 84 |
| Indicators | 77 | Info Menu | 85 |
| Log Save Destination | 77 | Projector Info | 85 |
| Batch Setup Range | 78 | Event ID Code List | 85 |
| AC Voltage Monitoring | 78 | Light Source Info | 86 |
| Date & Time | 78 | Version | 86 |
| Lens Calibration | 78 | Status Information | 86 |
| Standby Mode | 78 | Voltage Warning Info | 86 |
| Projector ID | 79 | Power On/Off History | 86 |
| Language | 79 | Firmware Update | 86 |
| Reset (Extended menu) | 79 | Export Batch Settings | 87 |
| Network Menu | 80 | Import Batch Settings | 87 |
| Net. Info. - Wired LAN | 80 | Reset Menu | 88 |
| Display the QR Code | 80 | Reset All Memories | 88 |
| Projector Name | 80 | Refresh Mode | 88 |
| PJLink Password | 80 | Light Source Calibration | 88 |
| Remote Password | 80 | Reset All Config | 88 |

Monitoring and Controlling the Projector 90

Projector Monitoring and Control Options 91

- Epson Web Control 91
- ESC/VP21 Commands 91
- ESC/VP.net Commands 91
- PJLink 91
- Crestron Connected Support 92
- Web API 92

Accessing a Networked Projector Using a Web Browser 93

- Web Control Options 94

Maintaining the Projector 102

Projector Maintenance 103

Cleaning the Lens 104

Cleaning the Projector Case 105

Air Filter and Vent Maintenance 106

- Cleaning the Air Filters and Intake Vents 106
- Replacing the Air Filter 109

Updating the Firmware 112

- Updating Firmware Using a USB Storage Device 112
- Updating Firmware Using a Computer and USB Cable 113

Solving Problems 115

Projection Problems 116

Projector Indicator Status 117

Solving Image or Sound Problems 121

- Solutions When No Image Appears 121
- Solutions When "No Signal" Message Appears 121

- Displaying From a Windows Laptop 122
- Displaying From a Mac Laptop 122
- Solutions When "Not Supported" Message Appears 122
- Solutions When Only a Partial Image Appears 122
- Solutions When the Image is not Rectangular 122
- Solutions When the Image Contains Noise or Static 123
- Solutions When the Image is Fuzzy or Blurry 123
- Solutions When the Image Brightness or Colors are Incorrect 124
- Solutions When an Afterimage Remains on the Projected Image 124
- Solutions to Sound Problems 124

Solving Projector or Remote Control Operation Problems 125

- Solutions to Projector Power or Shut-Off Problems 125
- Solutions to Problems with the Remote Control 125
- Solutions to Password Problems 126
- Solution When "The Battery that Saves Your Clock Settings is Running Low" Message Appears 126

Solutions to Problems in Content Playback Mode 127

Solving Network Problems 128

- Solutions When You Cannot Access the Projector Through the Web 128
- Solutions When the Image Contains Static During Network Projection 128

Appendix 129

Optional Accessories and Replacement Parts 130

- Vanity Board 130
- Lens 130
- Lens Housing 130
- Screens 130
- Mounts 130
- External Devices 131
- Replacement Parts 131

Screen Size and Projection Distance 132

- Projection Distance Formula 132
- Projection Distance 135



| | |
|---|------------|
| Projector Specifications | 141 |
| Connector Specifications | 142 |
| Supported Features for Epson Projector Content Manager | 143 |
| List of Safety Symbols and Instructions | 144 |
| Laser Safety Information | 146 |
| Laser Warning Labels | 146 |
| Glossary | 149 |
| Notices | 151 |
| FCC Compliance Statement | 151 |
| Indication of the manufacturer and the importer in accordance with requirements of EU directive | 152 |
| Indication of the manufacturer and the importer in accordance with requirements of United Kingdom directive | 152 |
| Restriction of Use | 152 |
| Operating System References | 152 |
| Trademarks | 153 |
| Copyright Notice | 153 |
| Copyright Attribution | 153 |

Notations Used in This Guide




Safety Symbols

The projector and its manuals use graphical symbols and labels to indicate content that tells you how to use the projector safely.

Read and carefully follow the instructions that are marked with these symbols and labels to avoid injury to persons or damage to property.

| | |
|--|--|
|  Warning | This symbol indicates information that, if ignored, could possibly result in personal injury or even death. |
|  Caution | This symbol indicates information that, if ignored, could possibly result in personal injury or physical damage due to incorrect handling. |

General Information Notations

| | |
|---|---|
| Attention | This label indicates procedures that may result in damage or injury if sufficient care is not taken. |
|  | This label indicates additional information that may be useful to know. |
| [Button name] | Indicates the name of the buttons on the remote control or the control panel. Example: [Esc] button |
| Menu/Setting name | Indicates projector menu and setting names. Example: Select the Image menu  Image > Color Mode |
| »» | This label indicates links to the related pages. |
|  | This label indicates the projector's current menu level. |

»» Related Links

- "Using the Manual to Search for Information" [p.8](#)
- "Getting the Latest Version of the Documents" [p.9](#)

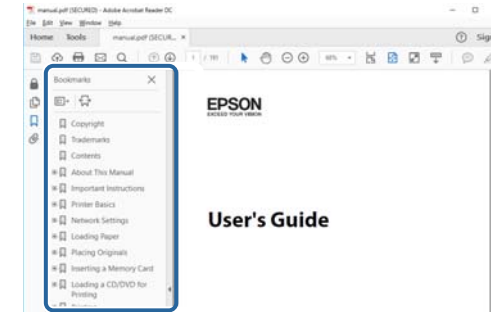
Make sure you read the *Safety Instructions* before using your projector.

The PDF manual allows you to search for information you are looking for by keyword, or jump directly to specific sections using the bookmarks. You can also print only the pages you need. This section explains how to use a PDF manual that has been opened in Adobe Reader X on your computer.

► Related Links

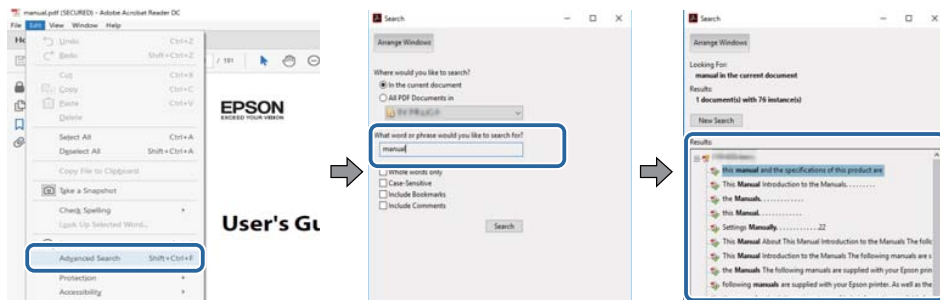
- "Searching by Keyword" p.8
- "Jumping Directly from Bookmarks" p.8
- "Printing Only the Pages You Need" p.8

- Mac OS: Hold down the command key, and then press ←.



Searching by Keyword

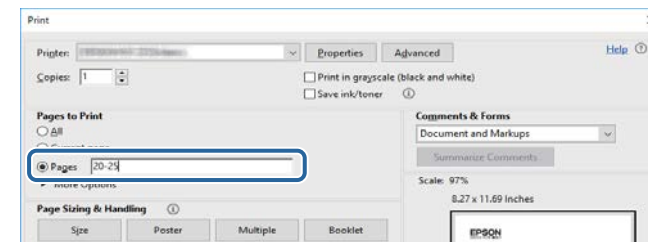
Click **Edit > Advanced Search**. Enter the keyword (text) for information you want to find in the search window, and then click **Search**. Hits are displayed as a list. Click one of the displayed hits to jump to that page.



Printing Only the Pages You Need

You can extract and print only the pages you need. Click **Print** in the **File** menu, and then specify the pages you want to print in **Pages in Pages to Print**.

- To specify a series of pages, enter a hyphen between the start page and the end page.
Example: 20-25
- To specify pages that are not in series, divide the pages with commas.
Example: 5, 10, 15



Jumping Directly from Bookmarks

Click a title to jump to that page. Click + or > to view the lower level titles in that section. To return to the previous page, perform the following operation on your keyboard.

- Windows: Hold down **Alt**, and then press ←.

You can get the latest version of the manuals and specifications on the Epson Web site.

Visit epson.sn, and enter your model name.

Introduction to Your Projector

See these sections to learn more about your projector.

▶ **Related Links**

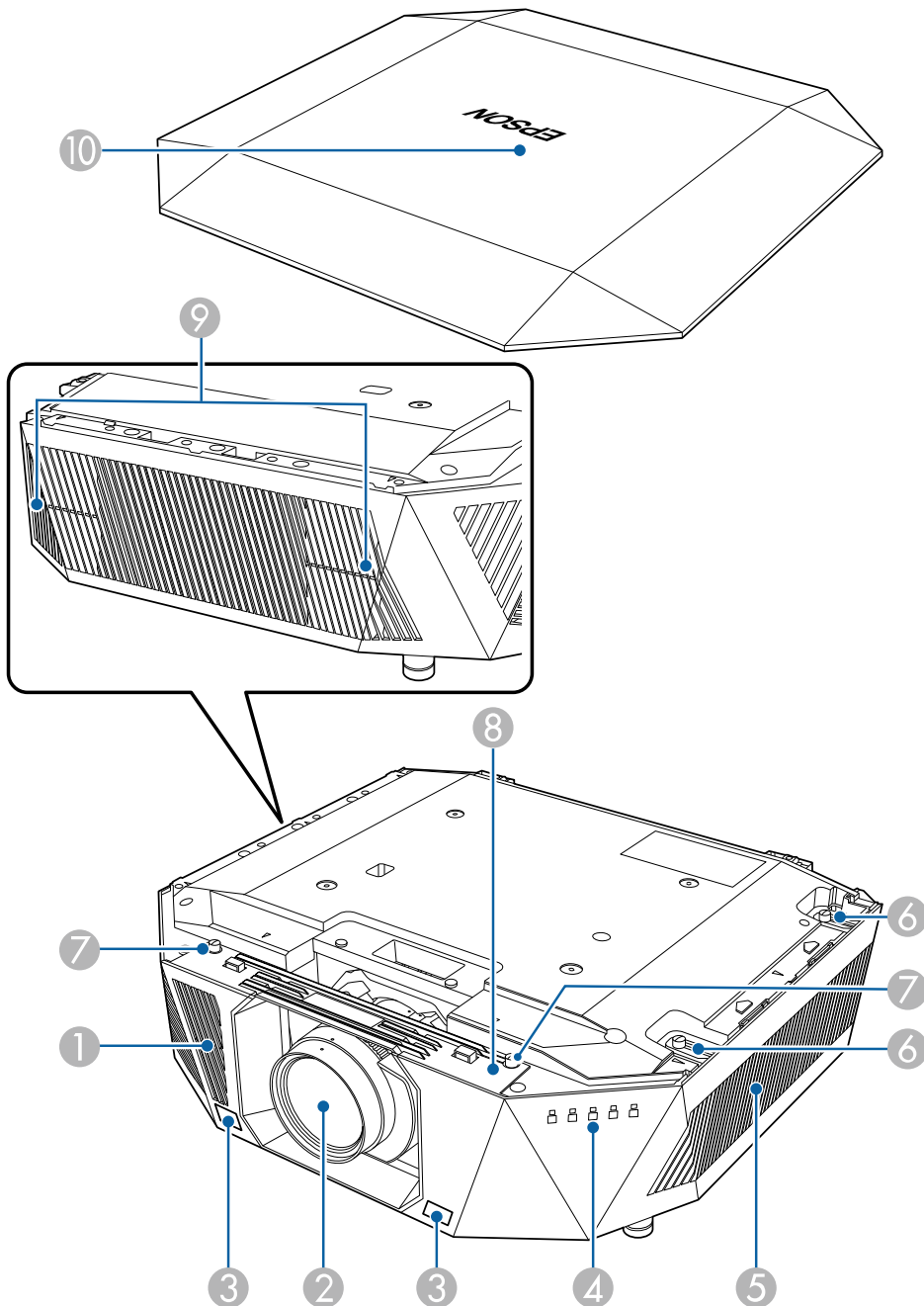
- "Projector Parts and Functions" [p.11](#)

The following sections explain the projector parts and their functions.

► Related Links

- ["Projector Parts - Front/Top" p.11](#)
- ["Projector Parts - Rear" p.13](#)
- ["Projector Parts - Interface" p.14](#)
- ["Projector Parts - Base" p.15](#)
- ["Projector Parts - Control Panel" p.17](#)
- ["Projector Parts - Remote Control" p.18](#)

Projector Parts - Front/Top



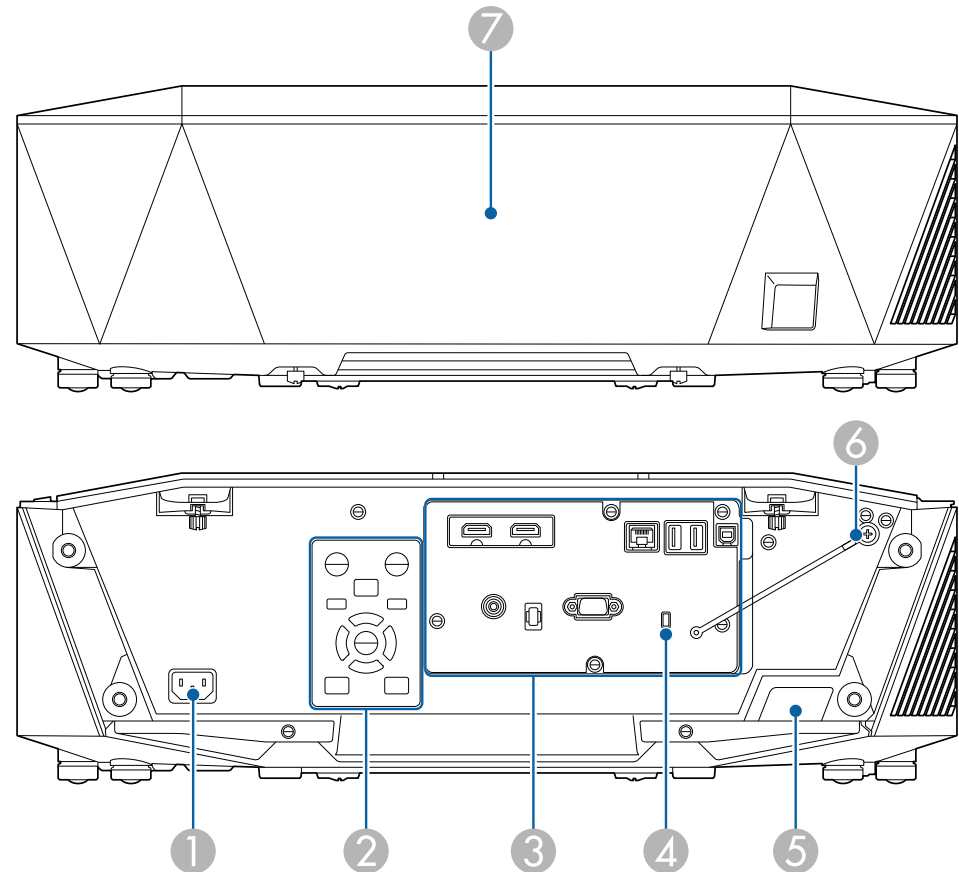
| Name | Function |
|--|---|
| ① Air intake vent | Takes in air to cool the projector internally. |
| ② Lens | Images are projected from here. <div style="border: 1px solid black; padding: 5px; margin-top: 10px;"> <p>⚠ Warning Do not look into the projection lens while projecting.</p> </div> <div style="border: 1px solid black; padding: 5px; margin-top: 10px;"> <p>⚠ Caution Do not place any objects or put your hand near the projection lens. It could cause burns, fire, or the object to warp because this area reaches a high temperature due to the concentrated projection light.</p> </div> |
| ③ Remote receivers | Receive signals from the remote control. |
| ④ Indicator lights | Indicate the projector's status. |
| ⑤ Air intake vent (air filter) | Takes in air to cool the projector internally. |
| ⑥ Air filter cover screws | Screws to fix the air filter cover in place. |
| ⑦ Screw holes (for the lens replacement cover) | Screw holes for the lens replacement cover. |
| ⑧ Lens replacement cover | Remove when attaching or removing the lens unit. (ELPLX02S/ELPLX02WS only) <div style="border: 1px solid black; padding: 5px; margin-top: 10px;"> <p>⚠ Caution When moving the projector, do not hold the lens replacement cover. The lens replacement cover may be removed and the projector may fall, which could cause an injury.</p> </div> |

| Name | Function |
|--------------------|---|
| 9 Air exhaust vent | Exhaust vent for air used to cool the projector internally. <div style="border: 1px solid black; padding: 5px; background-color: #ffffcc;"> <p>⚠ Caution While projecting, do not put your face or hands near the air exhaust vent, and do not place objects that may become warped or damaged by heat near the vent. Hot air from the air exhaust vent could cause burns, warping, or accidents to occur.</p> </div> |
| 10 Vanity board | Cover for the top of the projector. |

▶ **Related Links**

- "Projector Indicator Status" [p.117](#)
- "Attaching and Removing the Vanity Board" [p.34](#)

Projector Parts - Rear



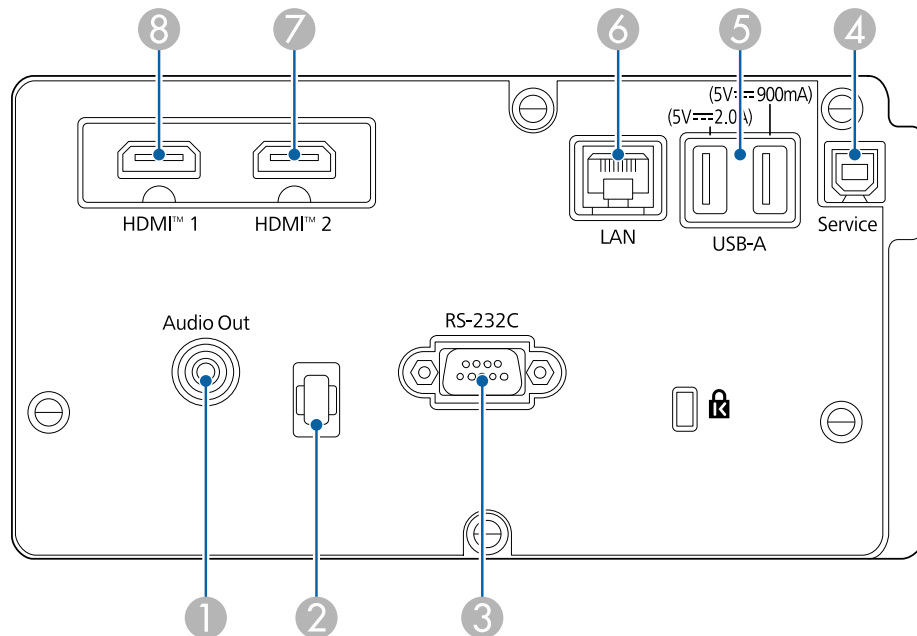
| Name | Function |
|-------------------|---|
| 1 Power inlet | Connects the power cord to the projector. |
| 2 Control panel | Operates the projector. |
| 3 Connector ports | Connects interface cables. |

| Name | Function |
|-------------------------------------|--|
| 4 Security slot | The security slot is compatible with the Microsaver Security System manufactured by Kensington. For more details on the Microsaver Security System, visit the Kensington Web site. https://www.kensington.com/ |
| 5 Remote receiver | Receives signals from the remote control. |
| 6 Vanity board fall prevention wire | Connects the vanity board and the projector. |
| 7 Cable cover | Cover for the rear interface ports section. |

Attention

- Check the shape and orientation of the connectors on any cable you plan to connect. Do not force a connector into a port if it does not fit. The device or your projector could be damaged or could malfunction.
- Do not turn on the input source before connecting it to the projector. Doing so could damage the projector.
- If necessary, use an adapter that allows you to connect to an input port on the projector.

Projector Parts - Interface



| Name | Function |
|---|--|
| 1 Audio Out port (Stereo mini pin jack) | Outputs audio from the current input source to an external speaker. You can also connect the projector to an amplifier with speakers. To output audio from the speaker connected to this port, select Projector as the Audio Out Device setting in the projector's Settings menu. When an audio/video system is not connected to the projector, audio is output from the speaker connected to this port even if Audio Out Device is set to AV System . 🔑 Settings > HDMI Link > Audio Out Device |
| 2 Cable holder | Pass a commercially available cable tie through here to secure cables. <div style="border: 1px solid black; padding: 5px; margin-top: 10px;">⚠ Warning Do not bundle the power cord to the other cables. Otherwise, a fire may occur.</div> |
| 3 RS-232C port (Mini D-Sub 9-pin, male) | Use to connect an RS-232C cable to control the projector from a computer. |
| 4 Service port (USB connector Type B) | This port is used for batch settings and firmware update. |

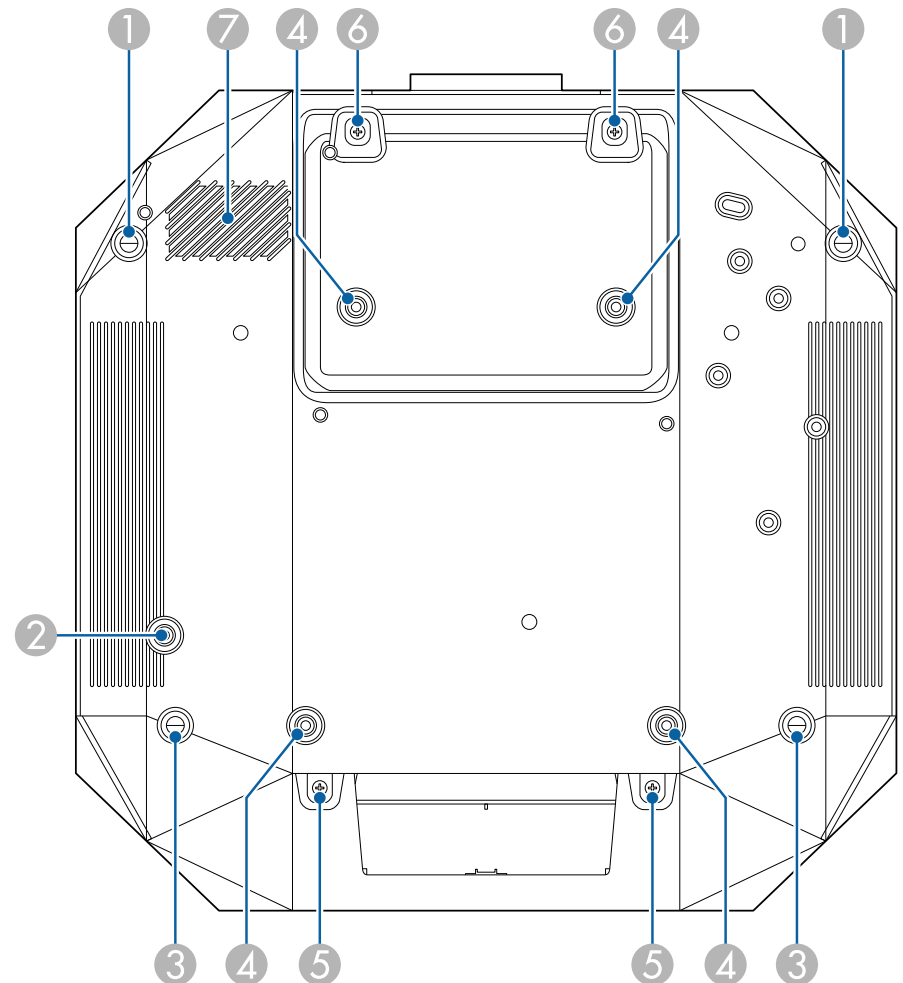
| Name | Function |
|---|--|
| 5 USB-A port (USB connector Type A) | <p>Use to connect a USB memory device for projecting movies or images in Content Playback mode. It is also used for batch settings and firmware update.</p> <p>Provides a connection for a streaming media player to power it.</p> <p>This projector can be powered at 5 V/2 A or 5 V/ 900 mA.</p> <div style="border: 1px solid black; padding: 5px; margin-top: 10px;"> <p>Attention</p> <ul style="list-style-type: none"> • Use the USB cable supplied with or specified for use with the device. • Do not connect a USB hub or a USB cable longer than 3 meters, or the device may not operate correctly. </div> |
| 6 LAN port (RJ-45) | <p>Use to connect a LAN cable to connect to a network.</p> <p>Use a 100Base-TX or 10Base-T network cable.</p> <p>To ensure proper data transmission, use a Category 5 shielded cable or better.</p> |
| 7 HDMI1 port /HDMI2 port (HDMI) | <p>Inputs video signals from HDMI compatible video equipment and computers.</p> <p>Connects the optional base unit of the Epson Wireless Presentation System.</p> <p>This port is compatible with HDCP2.3. (Audio is only supported by PCM)</p> |



When sending 40 Gbps images such as 4K 120Hz, use an HDMI cable (ultra-high speed). If you use an incompatible cable, images may not be displayed correctly. If images are not displayed correctly, you may be able to display them correctly by changing the EDID Mode setting in the projector's **Signal** menu.

☛ **Signal > Advanced > EDID**

Projector Parts - Base

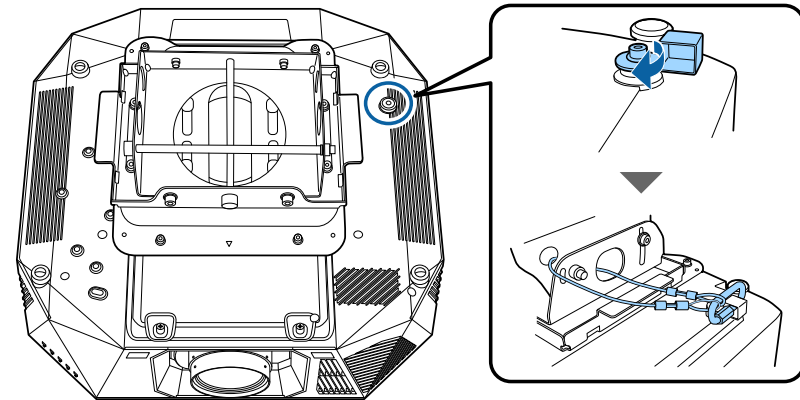


| Name | Function |
|---|--|
| ① Front feet | When the projector is set up on a surface such as a desk, turn to extend the foot to adjust the position of the image. You can adjust the position of the image by tilting the projector up to 10 degrees. The larger the angle of tilt, the harder it becomes to focus. |
| ② Screw hole (for the ring of the safety wire) | Screw hole for securing the ring of the safety wire to prevent the projector from falling from the ceiling or wall. |
| ③ Rear feet | When the projector is set up on a surface such as a desk, turn to extend and retract the feet to adjust the horizontal tilt. You can adjust the tilt within a range of $\pm 1.5^\circ$. The rear feet are detachable. You can extend the feet by approximately 12 mm before they detach. |
| ④ Ceiling mount fixing points (ELPMB47/ELPMB48/ELPMB67, 4 points) | Use these points to attach the optional ceiling mount when installing the projector on a wall, or mounting the projector from a ceiling. |
| ⑤ Screws (for the cable cover) | Screws for securing the cable cover. Make sure the cables have been passed through the notch on the base of the cable cover before attaching the cable cover. |
| ⑥ Screws (for the lens replacement cover) | Screws for the lens replacement cover. |
| ⑦ Air intake vent | Takes in air to cool the projector internally. |

Installing the Safety Wire

When you use the optional ceiling mount, you can install the safety wire to prevent the projector from falling from the ceiling.

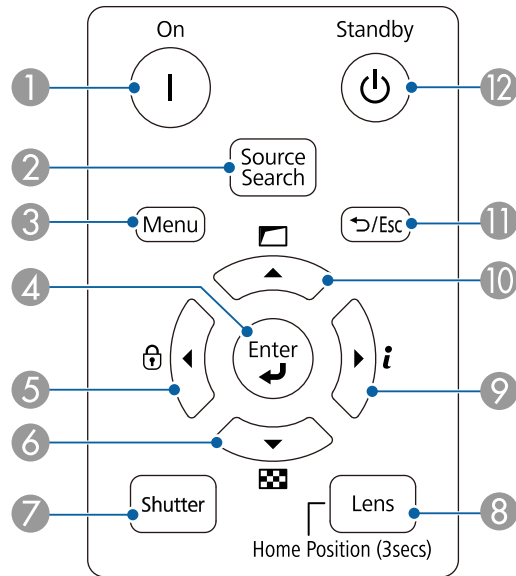
Secure the ring using the M6 \times 15 mm bolt supplied with the safety wire set, and loop the safety wire through the ceiling mount to secure it as shown.



► Related Links

- "Installing the Safety Wire" [p.16](#)

Projector Parts - Control Panel



| Name | Function |
|--------------------------|---|
| 1 [On] button | Turns the projector on. |
| 2 [Source Search] button | Changes to the next input source. |
| 3 [Menu] button | Displays and closes the projector's menu. |
| 4 [Enter] button [↵] | Enters the current selection and moves to the next level while displaying the projector's menu. |

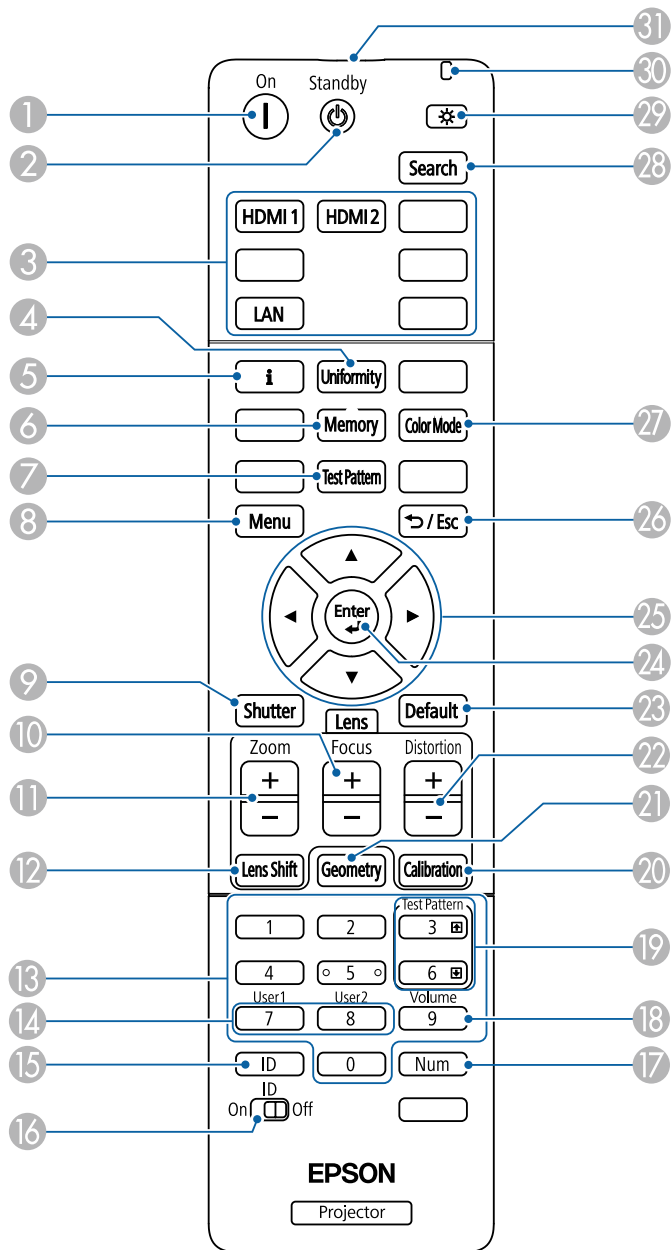
| Name | Function |
|--|---|
| 5 Control panel lock button and arrow button | Displays the Control Panel Lock screen allowing you to lock the control panel buttons. Do one of the following to unlock them. <ul style="list-style-type: none"> Set the Control Panel Lock setting to Off. Hold down the [Enter] button on the control panel for more than 7 seconds. Selects menu items while displaying the projector's menu. |
| 6 Test pattern button and arrow button | Displays the Test Pattern screen. Selects menu items while displaying the projector's menu. |
| 7 [Shutter] button | Turns the video and audio on or off temporarily (A/V Mute). The projector's power automatically turns off two hours after A/V Mute is enabled. You can disable this feature. ⌨ Extended > Operation > A/V Mute Settings > A/V Mute Timer |
| 8 [Lens] button | Displays the adjustment screens for lens shift, zoom, focus, and distortion in that order each time the button is pressed. Wait 20 minutes after turning on the projector before setting the focus, zoom, and lens shift for maximum accuracy. When adjusting the image position using vertical lens shift, adjust it by moving the image from the bottom to the top. If you adjust it from the top to the bottom, the image position may move down slightly after adjusting. Hold down this button for more than 3 seconds to move the lens position to the home position. Keep the lens position in the home position for the clearest picture. |
| 9 Information button [i] and arrow button | Displays the projector's Info menu. Selects menu items while displaying the projector's menu. |

| Name | Function |
|---|---|
| ⑩ Geometry correction button and arrow button | Corrects the shape of the image using the options in the Geometry Correction setting. Selects menu items while displaying the projector's menu. |
| ⑪ [Esc] button [↵ / Esc] | Stops the current function. Moves back to the previous menu level while displaying the projector's menu. |
| ⑫ [Standby] button | Turns the projector off. |

► Related Links

- "Geometry Correction" [p.67](#)
- "Control Panel Lock" [p.54](#)
- "Test Pattern" [p.48](#)
- "A/V Mute" [p.47](#)

Projector Parts - Remote Control



| Name | Function |
|-------------------------------|---|
| 1 [On] button | Turns the projector on. |
| 2 [Standby] button | Turns the projector off. |
| 3 Switch image source buttons | Switch the image source to each port. |
| 4 [Uniformity] button | Displays the Color Uniformity screen where you can adjust the color tone balance of the projected image. |
| 5 Information button [i] | Displays the projector's Info menu. |
| 6 [Memory] button | Displays the Memory screen where you can save customized settings and load saved settings. A memory name that has already been used is indicated by a blue mark. Saving over a previously saved memory overwrites the settings with your current settings. |
| 7 [Test Pattern] button | Displays the Test Pattern screen. |
| 8 [Menu] button | Displays and closes the projector's menu. Hold down this button for more than 15 seconds to turn on all remote receivers. |
| 9 [Shutter] button | Turns the video and audio on or off temporarily (A/V Mute). The projector's power automatically turns off 2 hours after A/V Mute is enabled. You can disable this feature. Extended > Operation > A/V Mute Settings > A/V Mute Timer |
| 10 [Focus] +/- buttons | Adjusts the focus in the projected image. |
| 11 [Zoom] +/- buttons | Adjusts the image size. |

| Name | Function |
|-----------------------------------|---|
| 12 [Lens Shift] buttons | Adjusts the position of the projected image. Wait 20 minutes after turning on the projector before setting the focus, zoom, and lens shift for maximum accuracy. When adjusting the image position using vertical lens shift, adjust it by moving the image from the bottom to the top. If you adjust it from the top to the bottom, the image position may move down slightly after adjusting. Hold down this button for more than 3 seconds to move the lens position to the home position. Keep the lens position in the home position for the clearest picture. |
| 13 Numeric buttons | Enters numbers in the projector's menu while holding down the [Num] button. In Content Playback mode, enter numbers while holding down the [Num] button to play back your favorite playlists. |
| 14 [User] buttons | Perform settings assigned in the User Button setting in the projector's Settings menu. |
| 15 [ID] button | Press this button and press a number button within 5 seconds to select the ID for the projector you want to operate using the remote control. (Enter a one-digit or two-digit number.) If you do not know the projector's ID, press this button during projection to temporarily display the projector's ID and the remote control's ID on the screen. |
| 16 [ID] switch | Enables (On) or disables (Off) ID settings for the remote control. |
| 17 [Num] button | Hold down this button to enter numbers using the numeric buttons. |
| 18 [Volume] button | Adjusts the speaker volume. |
| 19 [Test Pattern] up/down buttons | Display the previous or next test pattern while displaying a test pattern. Controls page up and down on your computer when you connect a projector and computer over the network. |

| Name | Function |
|---------------------------------------|--|
| 20 [Calibration] button | Adjusts the lens calibration. |
| 21 [Geometry] button | Displays the Geometry Correction screen allowing you to correct keystone distortion of the projected image. |
| 22 [Distortion] +/- buttons | Adjusts the distortion in the projected image. |
| 23 [Default] button | Returns the selected setting to its default value. Hold down this button for more than 3 seconds to start the lens calibration process. |
| 24 [Enter] button [↵] | Enters the current selection and moves to the next level while displaying the projector's menu. |
| 25 Arrow buttons | Selects menu items while displaying the projector's menu. |
| 26 [Esc] button [↶ / Esc] | Stops the current function. Moves back to the previous menu level while displaying the projector's menu. |
| 27 [Color Mode] button | Changes the color mode. |
| 28 [Search] button | Switches to the next input source. |
| 29 Illumination button [☀] | Illuminates the buttons on the remote control for approximately 15 seconds. This is useful when using the remote control in the dark. |
| 30 Indicator | A light is emitted when outputting remote control signals. |
| 31 Remote control light emitting area | Outputs remote control signals. |

▶▶ Related Links

- "Installing Batteries in the Remote Control" [p.21](#)
- "Remote Control Operation" [p.21](#)
- "Geometry Correction" [p.67](#)
- "Memory" [p.70](#)
- "Test Pattern" [p.48](#)

- "A/V Mute" p.47

Installing Batteries in the Remote Control

The remote control uses the two AA batteries that came with the projector.

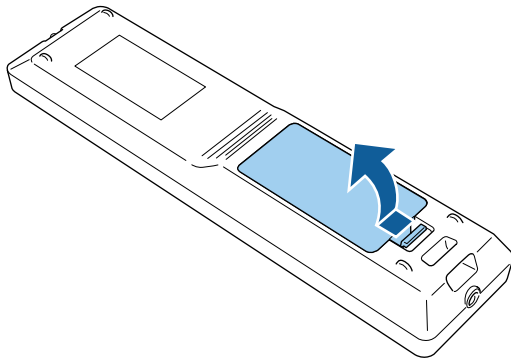
Attention

Make sure you read the *Safety Instructions* before handling the batteries.



Replace the batteries as soon as they run out. The remote control uses two AA manganese or alkaline batteries.

- 1** Remove the battery cover as shown.



- 2** Remove the old batteries, if necessary.



Dispose of used batteries according to local regulations.

- 3** Insert the batteries.

Warning

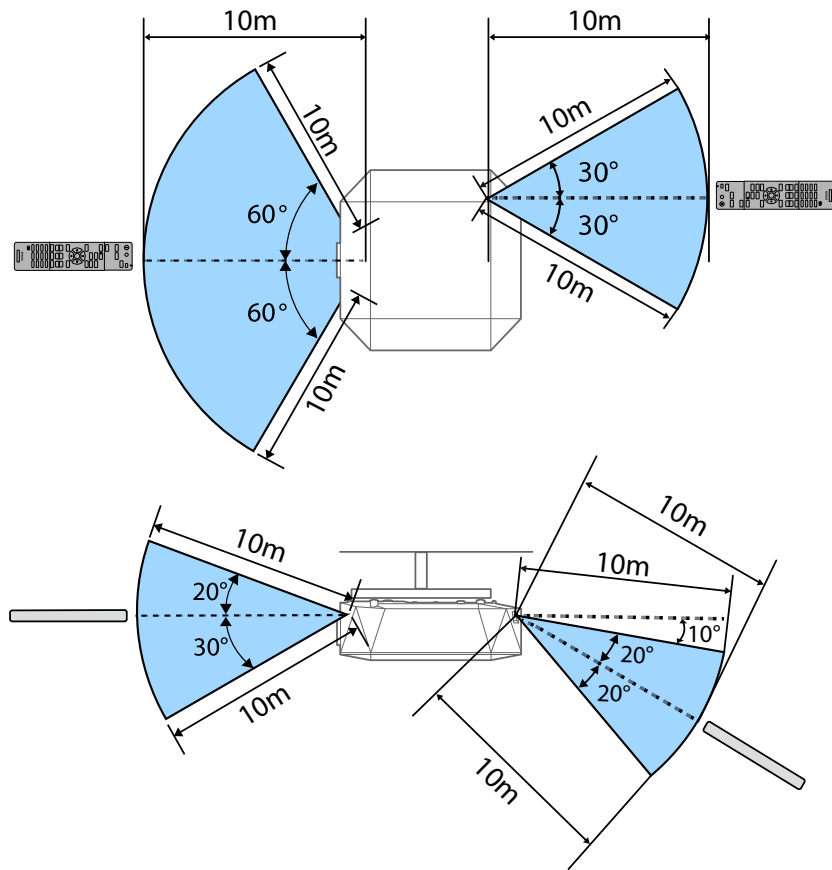
Check the positions of the (+) and (-) marks inside the battery holder to ensure the batteries are inserted the correct way. If the batteries are not used correctly, they could explode or leak causing a fire, injury, or damage to the product.

- 4** Replace the battery cover and press it down until it clicks into place.

Remote Control Operation

The remote control lets you control the projector from almost anywhere in the room.

Make sure that you aim the remote control at the projector's receivers within the distance and angles listed here.



- Depending on your installation environment, the available distance and angles may be shortened.
- Avoid using the remote control in conditions with bright fluorescent lights or in direct sunlight, or the projector may not respond to commands. If you are not going to use the remote control for a long time, remove the batteries.

Setting Up the Projector

Follow the instructions in these sections to set up your projector.

► Related Links

- "Notes on Transporting" [p.24](#)
- "Precautions on Installation" [p.25](#)
- "Attaching and Removing a Lens" [p.28](#)
- "Attaching and Removing the Vanity Board" [p.34](#)
- "Attaching and Removing the Cable Cover" [p.35](#)
- "Operating the Projector Power" [p.37](#)
- "Wired Network Connection" [p.39](#)
- "Secure HTTP" [p.41](#)

There are many glass parts and precision components inside the projector. To prevent damage due to impacts when transporting, handle the projector as follows.

Caution

- The projector should not be carried by one person. At least two people are needed to unpack or carry the projector.
- When moving the projector, do not hold the lens replacement cover or lens unit. They may become disconnected and the projector may fall, which could cause an injury.

Attention

- Do not transport the projector with the lens installed. Doing so could damage the projector and the lens.
- If the projector does not have a lens, attach the cover that was on the lens mount when you purchased the projector.

You can install the projector or mount it to the ceiling at any horizontal or vertical angle. Note the following precautions when installing the projector.

Warning

- Do not use adhesives on the ceiling mount fixing points to prevent the screws from loosening, or use lubricants, oils, or similar substances on the projector; the projector case may crack causing it to fall from its ceiling mount. This could cause serious injury to anyone under the ceiling mount and could damage the projector.
- Do not install the projector in a location subject to high levels of dust or humidity, or in a location subject to smoke or steam. Otherwise, it could cause a fire or electric shock to occur. The projector's case could also deteriorate and be damaged causing the projector to fall from the mount.

Examples of environments that could cause the projector to fall due to case deterioration

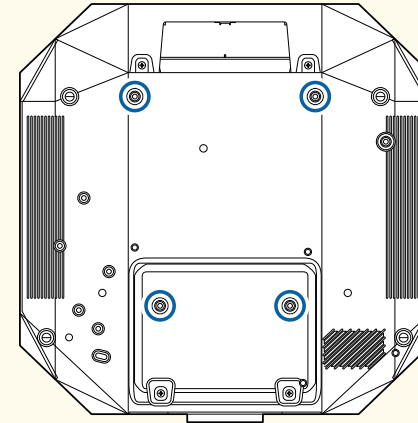
- Locations subject to excessive smoke or airborne oil particles, such as factories or kitchens
- Locations containing volatile solvents or chemicals, such as factories or laboratories
- Locations where the projector could be subjected to detergents or chemicals, such as factories or kitchens
- Locations in which aroma oils are often used, such as relaxation rooms
- Near devices that produce excessive smoke, airborne oil particles, or foam at events

Caution

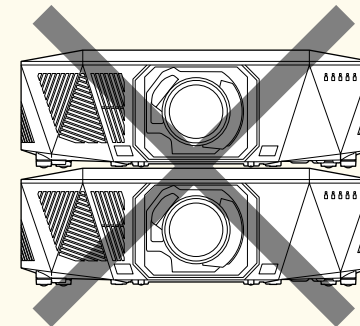
Protect your hands with gloves or other safety items when installing the projector.

Attention

- Use M6 screws (up to a depth of 14 mm) to fix the projector's ceiling mount fixing points and the mounting hardware at four points.



- Do not stack projectors directly on top of each other.

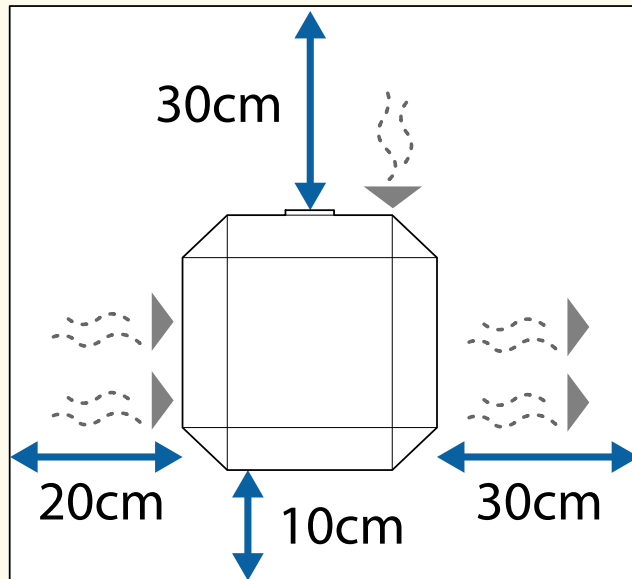


See the projector's *Specifications* for detailed locations of the air intake vent and air exhaust vent.

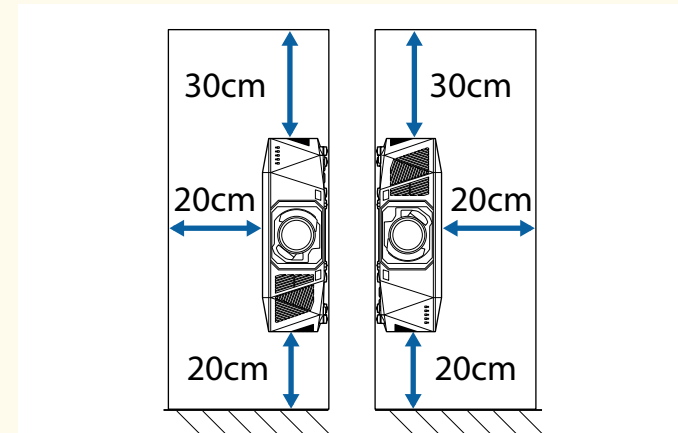
Installation space

Attention

- Be sure to leave the following amount of space around the projector so as not to block the air exhaust and intake vents.



See the projector's *Specifications* for detailed locations of the air intake vent and air exhaust vent.

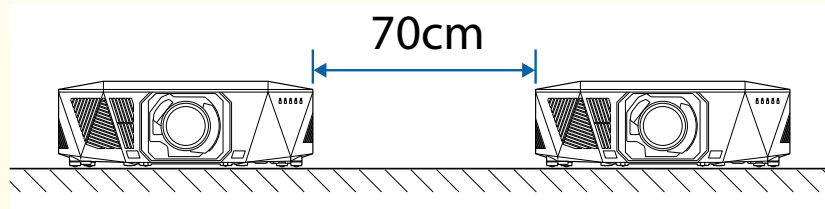


- Do not install the projector in a location that does not allow air to circulate, such as on a shelf or in a box.
If you want to install the projector on a shelf or in an enclosure, contact Epson for more details.
- If there is not enough space around the projector and the internal temperature of the projector increases, the brightness of the light source may decrease.
Make sure hot air from the exhaust vent does not go into the air intake vent.

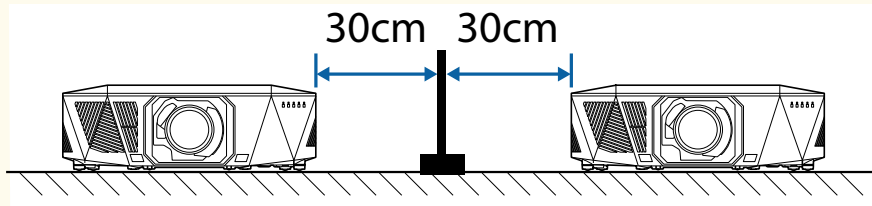
Installation space (When installing multiple projectors side by side)

Attention

- If you are installing multiple projectors next to each other, make sure hot air from the exhaust vent does not go into the air intake vent of another projector.



- If you use a partition, you can narrow the space between the projectors.



Follow the instructions in these sections to attach or remove a compatible lens.

The following lens are available.

- ELPLX02S
- ELPLX02WS
- ELPLU03S
- ELPLU04
- ELPLU03
- ELPLW05
- ELPLW08
- ELPLW06
- ELPLM08
- ELPLM15
- ELPLM10
- ELPLM11
- ELPLM09
- ELPLL08

Warning

Make sure you turn off the projector and unplug the power cord before attaching or removing a lens. Otherwise, you may receive an electric shock.

Attention

- If dust or dirt gets inside the projector, projection quality deteriorates and it could cause a malfunction. Be sure to observe the following precautions when handling.
 - Make sure the front of the projector is not facing up when you attach or remove the lens.
 - Remove the lens only when necessary.
 - Store the projector with the lens installed.
- Avoid touching the lens with your bare hands to prevent fingerprints on or damage to the lens surface.

▶▶ **Related Links**

- "Attaching a Lens" [p.28](#)
- "Removing a Lens" [p.32](#)

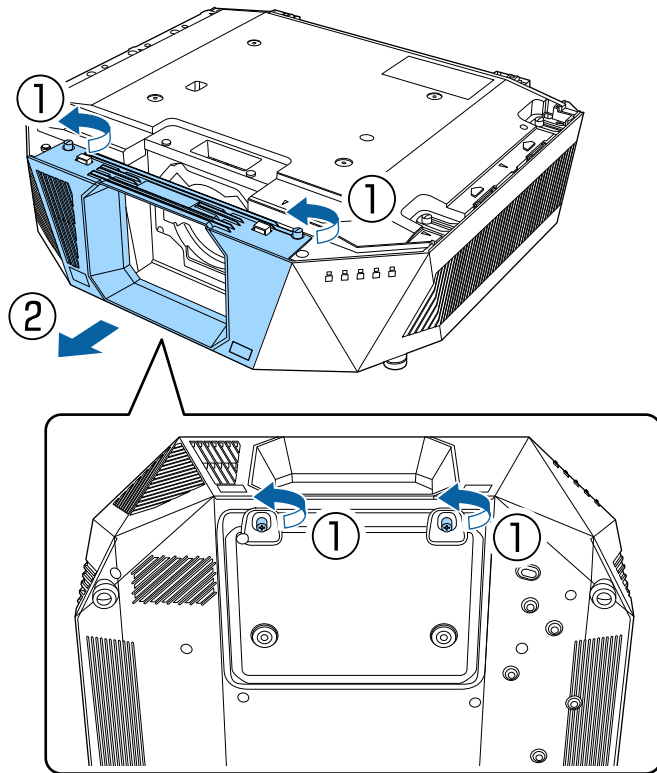
Attaching a Lens

You can attach a compatible lens to the projector.

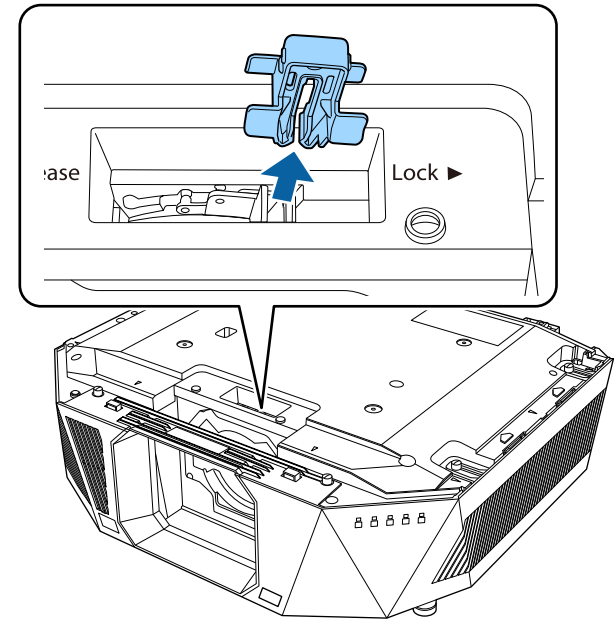


For information on installing an ultra short-throw zoom lens, see the *User's Guide* supplied with the lens.

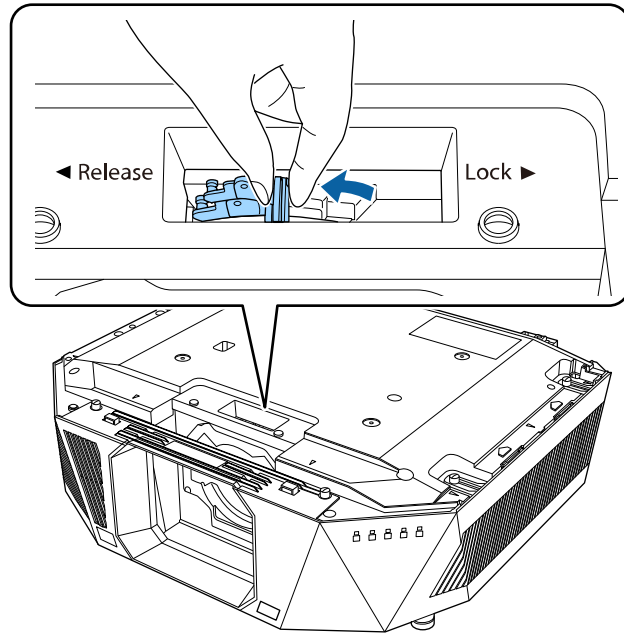
- 1** Turn off the projector and unplug the power cord.
- 2** When using one of the following lenses, remove the lens replacement cover.
 - ELPLX02S
 - ELPLX02WS



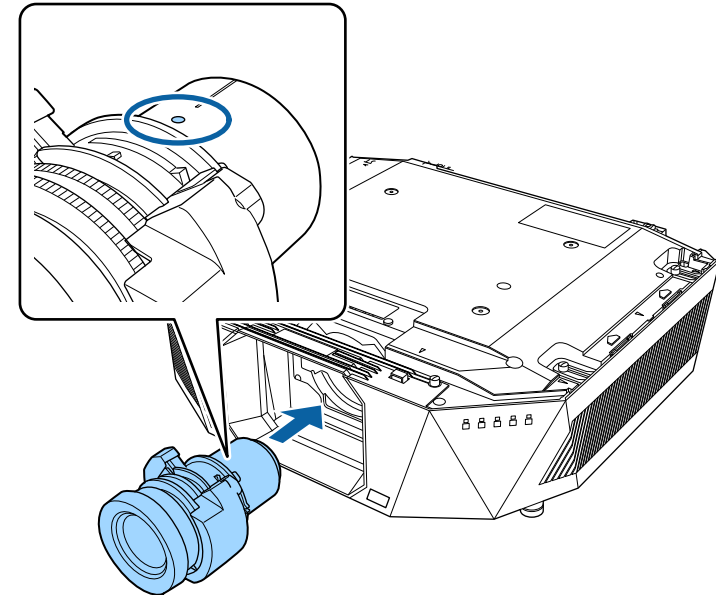
3 Remove the stopper, if necessary.



4 Pinch the lock lever and move it to the **Release** position.



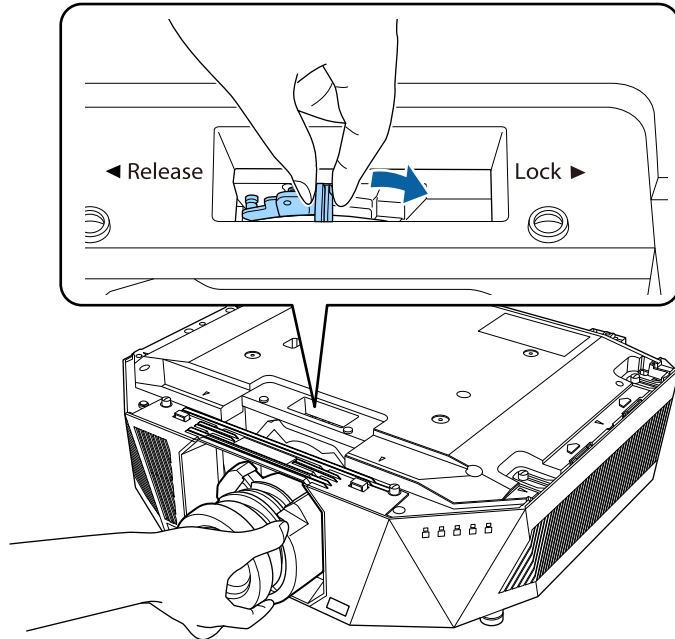
5 Insert the lens straight into the projector's lens socket with the white dot facing up.



⚠ Caution

To avoid injury, be careful not to get your fingers caught between the projector and lens.

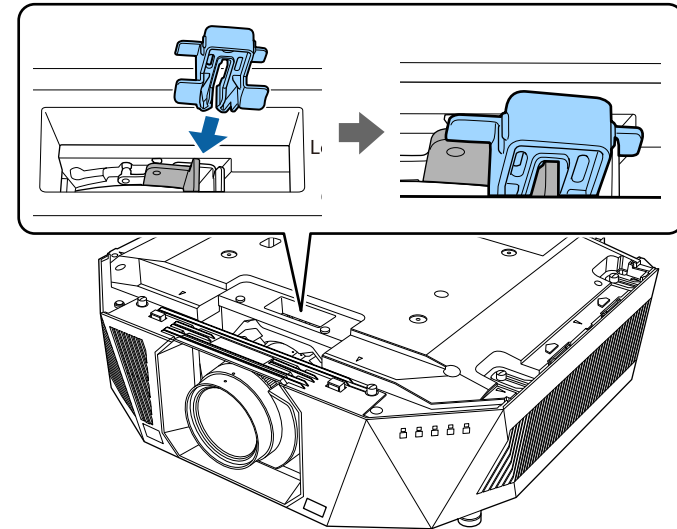
6 Hold the lens firmly, then pinch the lock lever and move it to the **Lock** position.



Warning

Make sure the lens is secured.
If the lens is not secured, it may fall off and could cause an injury when moving the projector.

7 Reattach the stopper.



The lever is secured even without using the lever lock, but this adds an additional measure of safety.

8 To perform lens calibration, turn on the projector.

9 When a message prompting you to start lens calibration is displayed, select **Yes**.

Lens calibration starts and helps the projector to correctly acquire the lens position and adjustment range. It takes up to 100 seconds. When calibration is finished, the lens returns to its original position.

The following lenses return to the standard position.

- ELPLX02S
- ELPLX02WS



- If no message is displayed after turning on the projector, perform lens calibration manually using one of the following methods.
 - Press the [Calibration] button on the remote control.
 - Hold down the [Default] button on the remote control for approximately 3 seconds.
 - Change the projector's menu:
 - ☛ Extended > Operation > Lens Calibration
- If you do not calibrate the lens, the following functions may not operate correctly.
 - Focus
 - Distortion
 - Zoom
 - Lens Shift
 - Memory (Lens Position)

Attention

If the icon indicating that lens calibration has failed is displayed, remove the lens and then reinstall it. If the message continues to be displayed, stop using the projector, remove the power plug from the electrical outlet, and contact Epson for help.

Removing a Lens

You can remove a lens to replace it with a different lens.

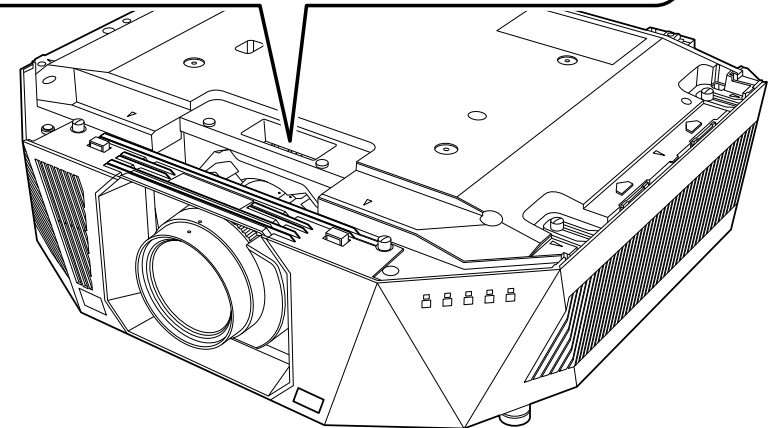
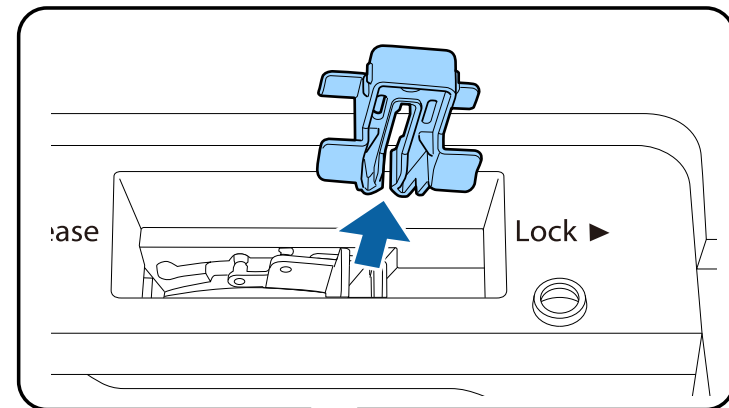
Caution

Wait at least 30 minutes to remove or replace the lens after turning off the projector. Touching the lens unit before it cools down may cause burns.

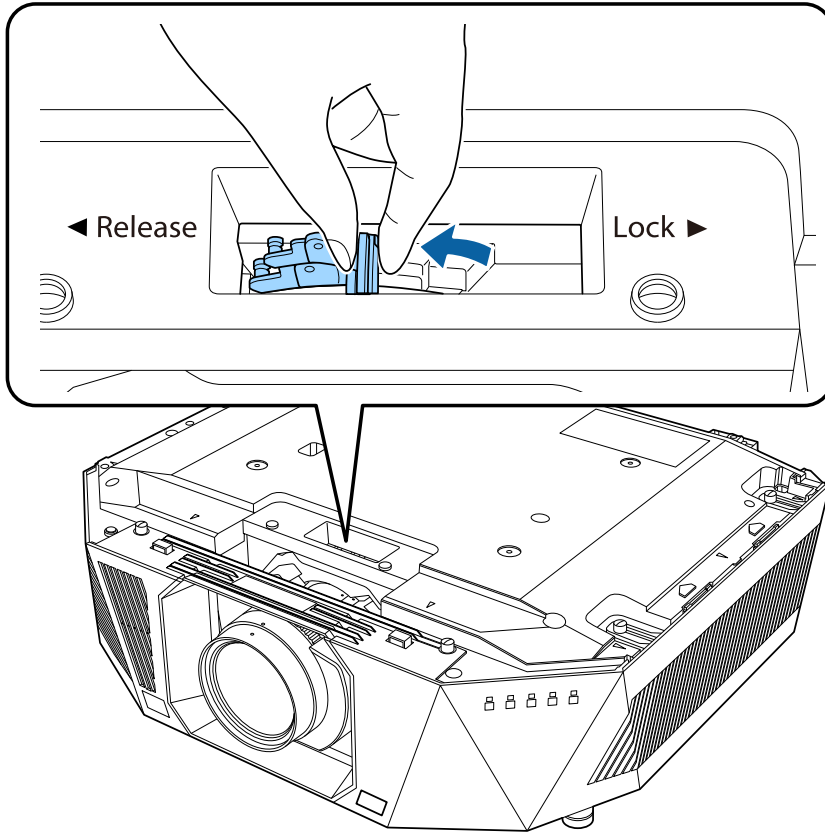


The projector uses a laser as the light source. As a safety measure, the light source turns off when the lens is removed. Attach the lens, and then press the [On] button to turn it back on.

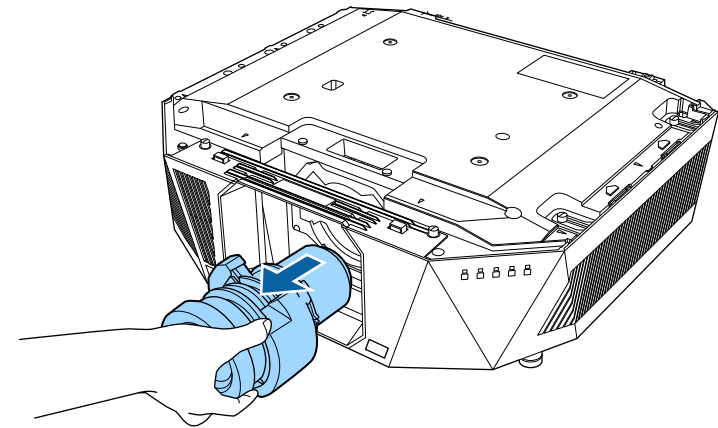
- 1** Hold down the [Lens Shift] (remote control) or [Lens] (control panel) button for approximately 3 seconds to move the lens to the home position.
- 2** Turn off the projector and unplug the power cord.
- 3** Remove the stopper, if necessary.



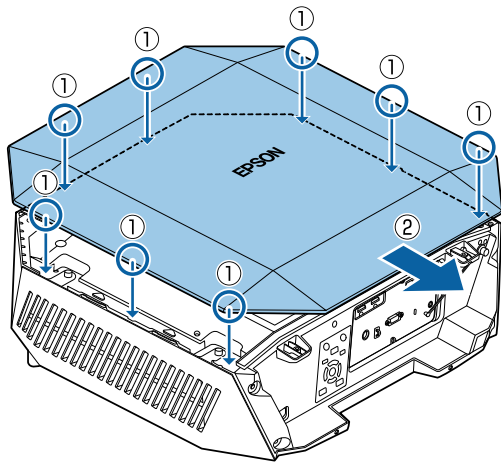
- 4** Hold the lens firmly as you pinch the lock lever and move it to the Release position.



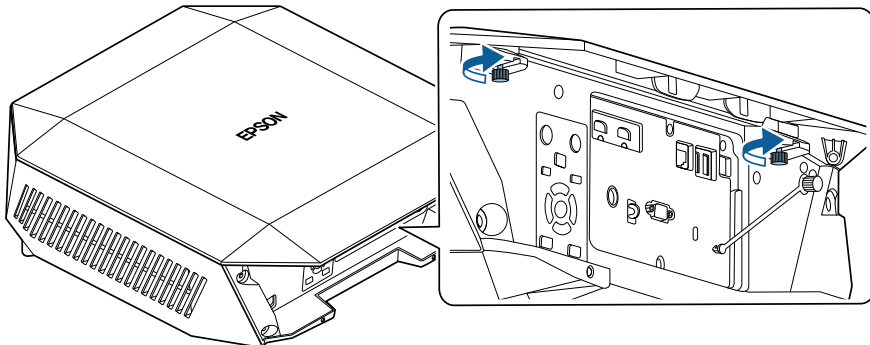
- 5** Gently pull the lens straight out of the projector.



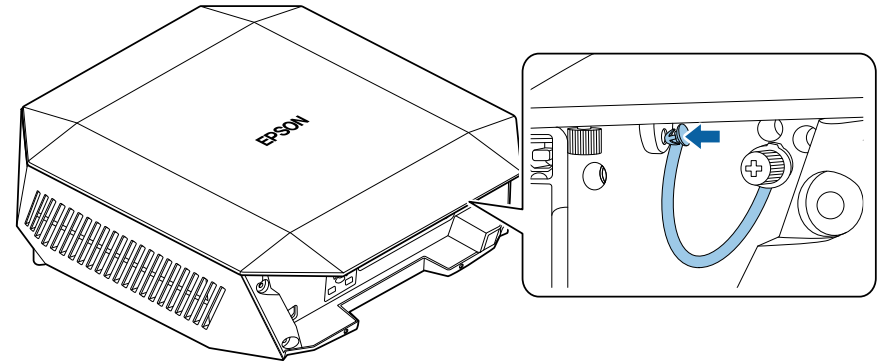
- 1** Turn off the projector and unplug the power cord.
- 2** Align the tabs on the vanity board with the guides on the projector, place the vanity board on the projector (①), and then slide it backward until it fits in place (②).



- 3** Tighten the screws.



- 4** Attach one end of the vanity board fall prevention wire to the vanity board.



- 5** Remove the protective sheet from the vanity board.

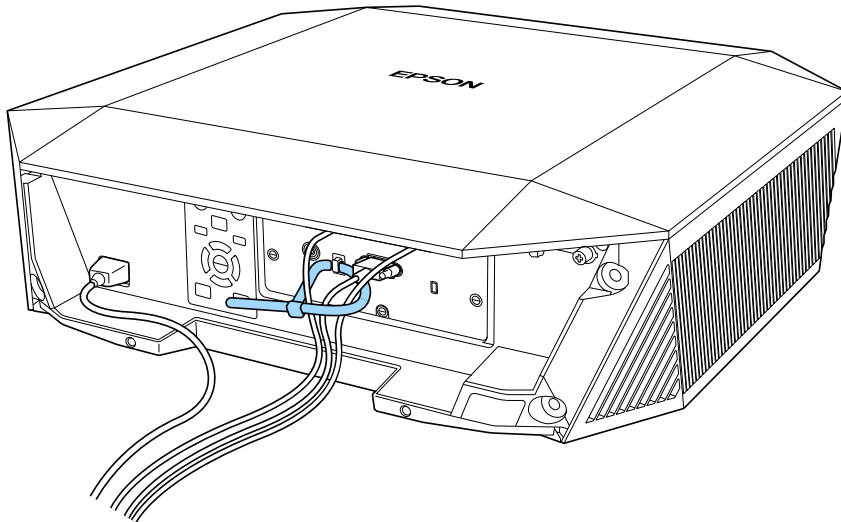


When removing the vanity board, remove the screw for the vanity board fall prevention wire, and then remove the wire from the projector.



Make sure that the vanity board has been installed on the projector in advance.

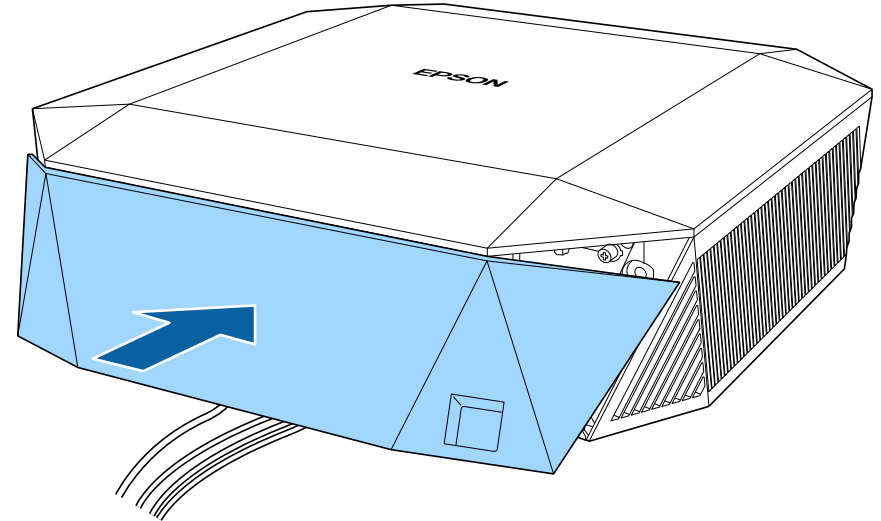
- 1 Pass a commercially available cable tie through the cable holder and tie the cables together.



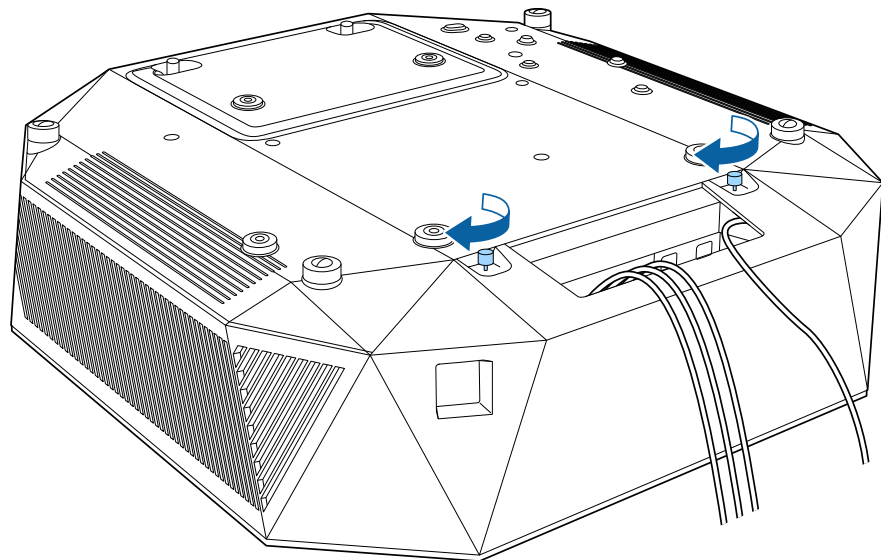
⚠ Caution

Do not bundle the power cord to the other cables. Otherwise, a fire may occur.

- 2 Place the cable cover on the projector as shown, guiding the cables through the notch on the base of the cable cover.



3 Tighten the cable cover screws.



Follow the instructions in these sections to operate the projector power.

▶ Related Links

- "Turning On the Projector" [p.37](#)
- "Turning Off the Projector" [p.38](#)

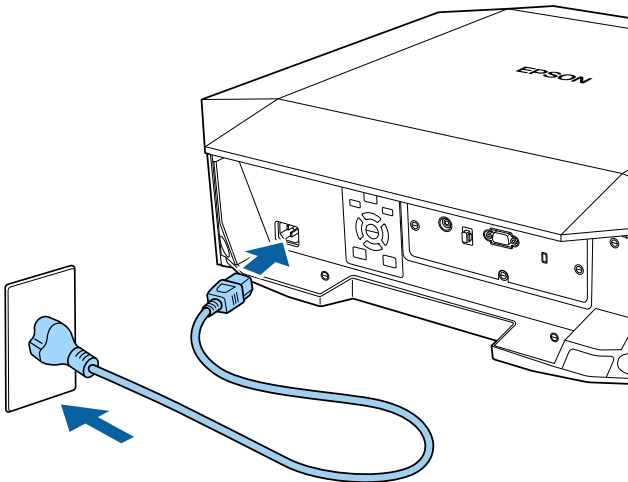
Turning On the Projector

Turn on the computer or video equipment you want to use after you turn on the projector.

Attention

Before turning on the projector, connect the computer or video equipment you want to use to the projector.

- 1** Connect the power cord to the projector's power inlet and plug it into an electrical outlet.



Warning

Be sure to connect to ground before plugging in. When you remove the ground connection, unplug the power cord and disconnect from ground.

The projector enters standby mode. While in standby mode, the projector receives power but has not yet been turned on.

- 2** Press the [On] button on the control panel or remote control to turn on the projector.
The status indicator flashes blue as the projector warms up. Once the projector is warmed up, the status indicator stops flashing and turns blue.

Try the following if you do not see a projected image.

- Turn on the connected computer or video device.
- Change the screen output from the computer when using a laptop computer.
- Insert a DVD or other video media, and press play (if necessary).
- Press the [Search] button on the control panel or remote control to detect the source.
- Press the button for the desired video source on the remote control.

Warning

- Never look into the projector lens when the light source is on. This can damage your eyes and is especially dangerous for children.
- When turning on the projector at a distance using the remote control, make sure there is no one looking into the lens.
- During projection, do not block the light from the projector with a book or other objects. If the light from the projector is blocked, the area on which the light shines becomes hot which could cause it to melt, burn, or start a fire. Also, the lens may get hot due to the reflected light which could cause the projector to malfunction. To stop projection, use the A/V Mute function, or turn off the projector.



- When the **Direct Power On** setting is set to **On** in the projector's **Extended** menu, the projector turns on as soon as you plug it in. Note that the projector also turns on automatically in cases such as recovery from a power outage.

☛ **Extended > Operation > Direct Power On**

Turning Off the Projector

Turn off the projector after use.



- Turn off this product when it is not in use to prolong the life of the projector. Light source life varies depending on the mode selected, environmental conditions, and usage. Brightness decreases over time.
- Light source calibration starts automatically if you turn off the projector and the following conditions are present:
 - The **Light Source Calibration** setting is set to **Run Periodically** in the projector's **Reset** menu
 - 100 hours have passed since the last light source calibration
 - You have used the projector continuously for more than 20 minutes
- Since the projector supports the direct shutdown feature, it can be turned off directly using the breaker.

- 1** Press the [Standby] button on the control panel or remote control.
The projector displays a shutdown confirmation screen.
- 2** Press the [Standby] button again. (To leave it on, press any other button.)
The light source turns off, and the status indicator turns off.
- 3** To transport or store the projector, make sure the status indicator on the projector is off, and then unplug the power cord.

You can send images to your projector, as well as monitor and control your projector, over a network.

To perform these operations, you need to do the following first:

- Connect the projector to your network.
- Set up your projector and computer using the projector's **Network** menus.
- Download and install the following network software from the following Web site.

epson.sn

- Epson iProjection software sets up your computer for network projection. It also allows you to hold interactive meetings by projecting the user's computer screen over a network. See the *Epson iProjection Operation Guide (Windows/Mac)* for instructions.

► Related Links

- "Connecting to a Wired Network" [p.39](#)
- "Selecting Wired Network Settings" [p.39](#)

Connecting to a Wired Network

To connect the projector to a wired local area network (LAN), use a 100Base-TX or 10Base-T network cable. To ensure proper data transmission, use a Category 5 shielded cable or better.

- 1** Connect one end of the network cable to your network hub, switch, or router.

- 2** Connect the other end of the cable to the projector's LAN port.

Selecting Wired Network Settings

Before you can project from computers on your network, you need to select network settings on the projector.



Make sure you already connected the projector to your wired network using the LAN port.

- 1** Press the [Menu] button, select the **Network** menu, and press [Enter].
- 2** Select **Network Configuration** and press [Enter].
- 3** Select the **Basic** menu and press [Enter].
- 4** Select the basic options as necessary.
 - **Projector Name** lets you enter a name up to 16 alphanumeric characters long to identify the projector over the network.
 - **PJLink Password** lets you enter a password up to 32 alphanumeric characters long for using the PJLink protocol for projector control.
 - **Remote Password** lets you enter a password up to 32 alphanumeric characters long to access the projector using the Basic Control. (The user name is EPSONREMOTE. No password is set by default.)
 - **Web Control Password** lets you enter a password up to 32 alphanumeric characters long to access the projector over the Web. (The user name is EPSONWEB. No password is set by default.)
 - **Moderator Password** lets you enter a four-digit number password for accessing the projector as a moderator using Epson iProjection. (No password is set by default.)

- **Projector Keyword** lets you turn on a security password to prevent access to the projector by anyone not in the room with it. You must enter a displayed, randomized keyword from a computer using Epson iProjection to access the projector and share the current screen.
- **Display Keyword** lets you select whether to display a projector keyword on the projected image when accessing the projector using Epson iProjection.
- **Display LAN Info.** lets you set the display format for the projector's network information.



Use the displayed keyboard to enter numbers and characters. Press the arrow buttons on the remote control to highlight characters and press [Enter] to select them.

You can also enter numbers by pressing the number buttons while holding down the [Num] button on the remote control.

- 5** Select the **Wired LAN** menu and press [Enter].
- 6** Assign the IP settings for your network as necessary.
 - If your network assigns addresses automatically, select **IP Settings** to set the **DHCP** setting to **On**.
 - If you must set addresses manually, select **IP Settings** to set the **DHCP** setting to **Off**, and then enter the projector's **IP Address**, **Subnet Mask**, and **Gateway Address** as necessary.
 - If you want to connect the projector to the network using IPv6, select **IPv6 Settings** to set the **IPv6** setting to **On**, and then set the **Auto Configuration** and **Use Temporary Address** settings as necessary.



To highlight the numbers you want from the displayed keyboard, press the arrow buttons on the remote control. To select a highlighted number, press [Enter].

- 7** To prevent the IP address from being displayed on the LAN standby screen, set the **IP Address Display** setting to **Off**.

- 8** When you finish selecting settings, select **Complete** and follow the on-screen instructions to save your settings and exit the menus.



If no **Web Control Password** has been set, a screen prompting you to set a password is displayed. Follow the on-screen instructions to set the password.

- 9** Press the [LAN] button on the remote control.
The wired network settings complete when you see the correct IP address on the LAN standby screen.

►► Related Links

- "Using the Displayed Keyboard" [p.45](#)

You can use the HTTPS protocol to increase security between the projector and a Web browser communicating with it. To do this, you create a server certificate, install it on the projector, and turn on the **Secure HTTP** setting in the projector menus to verify the reliability of the Web browser.

☛ **Network > Network Configuration > Others > Secure HTTP**

Even if you do not install a server certificate, the projector automatically creates a self-signed certificate and allows communication. However, because the self-signed certificate cannot verify reliability from a Web browser, you see a warning about the server's reliability when you access the projector from a Web browser. This warning does not prevent communication.

▶▶ Related Links

- "Importing a Web Server Certificate Using the Menus" [p.41](#)

Importing a Web Server Certificate Using the Menus

You can create your Web server certificate and import it using the projector menus and an external storage device.



- You can use a USB flash drive as an external storage device for this model.
- You can also register the digital certificates from your Web browser. However, be sure to register just once or the certificate may not install correctly.

- 1** Make sure your digital certificate file is compatible with projector registration and directly placed on the USB storage device.
- 2** Press the [Menu] button, select the **Network** menu, and press [Enter].
- 3** Select **Network Configuration** and press [Enter].

- 4** Select the **Others** menu and press [Enter].
- 5** Set the **Secure HTTP** setting to **On**.
- 6** Select **Web Server Cert.** and press [Enter].
- 7** Select **Register** and press [Enter].
- 8** Follow the on-screen instructions to connect a USB storage device to the projector's USB-A port.
- 9** Press [Enter] to display the certificate list.
- 10** Select the certificate to import using the displayed list.
A message is displayed prompting you to enter the password for the certificate.
- 11** Enter a password and press [Enter].
The certificate is imported and a completion message appears.

▶▶ Related Links

- "Supported Web Server Certificates" [p.41](#)

Supported Web Server Certificates

You can register these types of digital certificates.

Web Server Certificate (Secure HTTP)

| Specification | Description |
|---------------|-------------|
| Format | PKCS#12 |
| Extension | PFX, P12 |

| Specification | Description |
|---------------|--|
| Encryption | RSA |
| Hashes | MD5/SHA-1/SHA-256/SHA-384/SHA-512 |
| Key length | 512/1024/2048/4096 bit |
| Common name | Network host name |
| Organization | Optional |
| Password * | Up to 64 alphanumeric characters; required |

* You need to use your Web browser to enter more than 32 characters.

Adjusting the Menu Settings

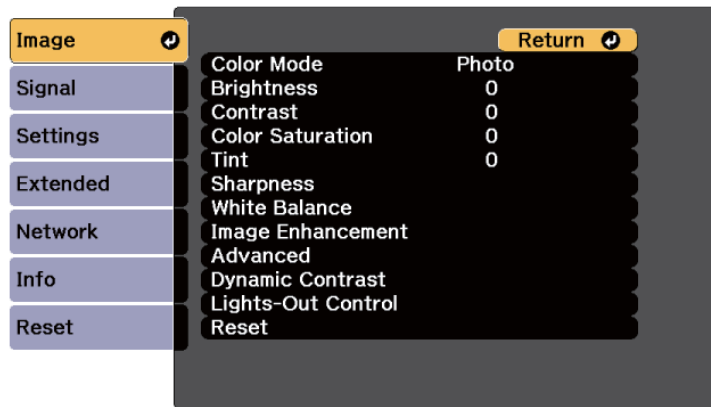
Follow the instructions in these sections to access the projector menu system and change projector settings.

► Related Links

- "Using the Projector's Menus" [p.44](#)
- "Using the Displayed Keyboard" [p.45](#)
- "Using Basic Projector Features" [p.46](#)
- "Copying Menu Settings Between Projectors (Batch Setup)" [p.55](#)

You can use the projector's menus to adjust the settings that control how your projector works. The projector displays the menus on the screen.

- 1 Press the [Menu] button on the control panel or remote control.
You see the menu screen displaying the **Image** menu settings.



- 2 Press the up or down arrow buttons to move through the menus listed on the left. The settings for each menu are displayed on the right.



The available settings depend on the current input source.

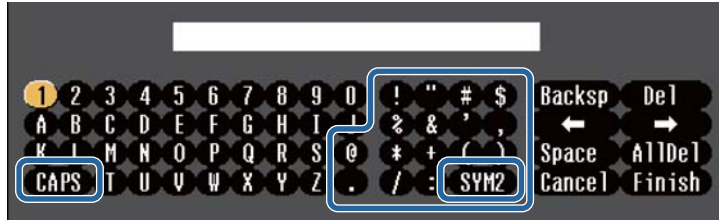
- 3 To change settings in the displayed menu, press [Enter].
- 4 Press the up or down arrow button to move through the settings.
- 5 Change the settings using the buttons listed on the bottom of the menu screens.
- 6 To return all the menu settings to their default values, select **Reset**.

- 7 When you finish changing settings on a menu, press [Esc].

- 8 Press [Menu] or [Esc] to exit the menus.

You can use the displayed keyboard to enter numbers and characters.

- 1 Use the arrow buttons on the control panel or remote control to highlight the number or character you want to enter and press the [Enter] button.



Each time you select the CAPS key, the characters change between upper case and lower case. Each time you select the SYM1/2 key, the symbols enclosed by the frame change.

- 2 After entering the text, select **Finish** on the keyboard to confirm your entries. Select **Cancel** to cancel entering text.



You can select projector settings and control projection over a network using a Web browser from your computer.
Some symbols cannot be entered using the displayed keyboard. Use your Web browser to enter the text.

► **Related Links**

- "Available Text Using the Displayed Keyboard" [p.45](#)

| Text type | Details |
|-----------|--|
| Numbers | 0123456789 |
| Alphabet | ABCDEFGHIJKLMNOPQRSTUVWXYZ abcdefghijklmnopqrstuvwxyz |
| Symbols | !"#\$%&'()*+,-./:;<=>?@[\] ^ _`{ }~ |

Available Text Using the Displayed Keyboard

You can enter the following text when using the displayed keyboard.

Follow the instructions in these sections to use your projector's basic features.

▶▶ Related Links

- "Setting Up the Projector" [p.46](#)
- "Projecting Images" [p.47](#)
- "Adjusting the Image Position and Shape" [p.49](#)
- "Adjusting the Image Quality" [p.51](#)
- "Maintaining the Projector Quality" [p.53](#)
- "Managing the Projector's Settings" [p.53](#)

Setting Up the Projector

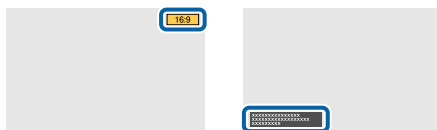
This section provides instructions on setting up your projector.

▶▶ Related Links

- "Messages" [p.46](#)
- "Standby Confirmation" [p.46](#)
- "Sleep Mode" [p.46](#)
- "Indicators" [p.46](#)
- "Date & Time" [p.47](#)
- "Language" [p.47](#)

Messages

You can display or hide messages such as the input source name, color mode name, aspect ratio, no signal message, or high temperature warning on the projected image.



Execution Method

☛ Extended > Display > Messages

Standby Confirmation

When set to **Off**, you can turn off the projector simply by pressing the power button once.

Execution Method

☛ Extended > Display > Standby Confirmation

Sleep Mode

When set to **On**, the projector automatically turns off after an interval of inactivity.

You can also set the interval in the **Sleep Mode Timer** setting.

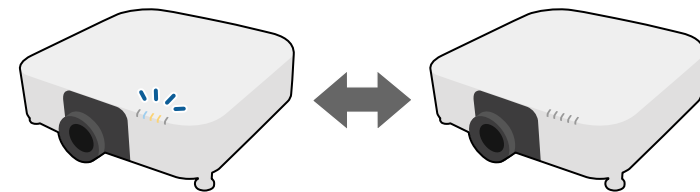
Execution Method

☛ Extended > Operation > Sleep Mode

☛ Extended > Operation > Sleep Mode Timer

Indicators

Set to **Off** to turn off the indicator lights on the projector except when an error or warning occurs.



Execution Method

☛ Extended > Operation > Advanced > Indicators

Date & Time

You can adjust the projector's system time and date settings.

Execution Method

☛ Extended > Operation > Date & Time

Language

You can select the language for projector menu and message displays.

Execution Method

☛ Extended > Language

Projecting Images

This section provides instructions to project images.

▶▶ Related Links

- "Source Search" [p.47](#)
- "A/V Mute" [p.47](#)
- "Volume" [p.47](#)
- "Aspect" [p.48](#)
- "Projection" [p.48](#)
- "Test Pattern" [p.48](#)
- "Content Playback" [p.48](#)
- "Display Background" [p.49](#)
- "Startup Screen" [p.49](#)

Source Search

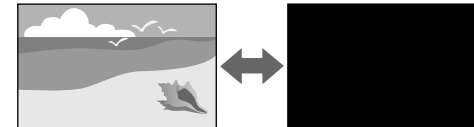
When multiple image sources are connected to the projector, such as a computer and DVD player, you can switch from one image source to the other.

Execution Method

- Press the [Search] (remote control) or [Source Search] (control panel) button on the control panel or remote control until you see the image from the source you want.
- Press the button for the source you want on the remote control. If there is more than one port for that source, press the button again to cycle through the sources.

A/V Mute

You can temporarily turn off the projected image and sound. Any sound or video action continues to run, however, so you cannot resume projection at the point that you stopped it.



Execution Method

Press the [Shutter] button on the control panel or remote control. To turn the image and sound back on, press [Shutter] again.



You can limit the way the A/V Mute function is released.

☛ Extended > Operation > A/V Mute Settings

Volume

You can adjust the volume of the audio from the Audio Out port.

Execution Method

- Change the projector's menu:

☛ Settings > Volume

Aspect

The projector can display images in different width-to-height ratios called aspect ratios. Normally, the input signal from your video source determines the image's aspect ratio. However, you can change the aspect ratio for certain images to fit your screen.



Execution Method

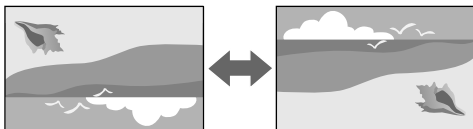
- Change the projector's menu:
☛ Signal > Aspect



If you always want to use a particular aspect ratio for a certain video input source, you can select it using the projector's **Signal** menu.

Projection

You can change the projection mode to flip the image over top-to-bottom and/or left-to-right using the projector menus.



Execution Method

- ☛ Extended > Projection

Test Pattern

You can display a test pattern to adjust the projected image.



Execution Method

- Press the [Test Pattern] button on the control panel or remote control.
- Change the projector's menu:
☛ Settings > Test Pattern

Content Playback

Your projector's Content Playback feature allows you to project your digital signage content. You can also add color and shape effects to your projected image.



You can use the following software to create content that can be played in Content Playback mode.

- Epson Projector Content Manager

- Epson Web Control
- Epson Creative Projection

Execution Method

☛ Settings > Content Playback

Display Background

You can select the screen background when no image signal is available.

Execution Method

☛ Extended > Display > Display Background

Startup Screen

When set to **On**, a logo is displayed when the projector starts up.

Execution Method

☛ Extended > Display > Startup Screen

Adjusting the Image Position and Shape

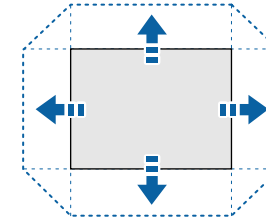
This section provides instructions to adjust the image position and shape without moving the projector.

▶▶ Related Links

- "Lens Shift" [p.49](#)
- "Zoom" [p.50](#)
- "H/V-Keystone" [p.50](#)
- "Quick Corner" [p.50](#)
- "Curved Surface" [p.50](#)
- "Corner Wall" [p.50](#)
- "Point Correction" [p.51](#)

Lens Shift

If you cannot install the projector directly in front of the screen, you can adjust the position of the projected image using the lens shift feature.



You can check the available lens shift range in the projector's *Specifications*.

Execution Method

- Press the [Lens Shift] button on the remote control.
- Press the [Lens] button on the control panel until the lens shift adjustment screen is displayed.

⚠ Caution

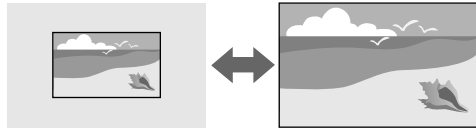
When shifting the lens, do not put your hands near the lens unit. Your fingers may get caught between the lens unit and the projector, and cause an injury.



- Wait 20 minutes after turning on the projector before setting the lens shift for maximum accuracy.
- When adjusting the image height, position the image lower than where you want it to be and then move it up. This will help prevent the image from moving down after adjustment.
- The image is clearest when the lens is at the home position. To move the lens to the home position, hold the [Lens Shift] button on the remote control or the [Lens] button on the control panel for more than 3 seconds.

Zoom

You can resize the image.

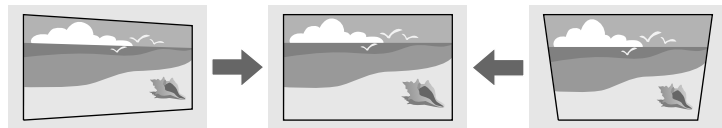


Execution Method

- Press the [Zoom] button on the remote control.
- Press the [Lens] button on the control panel until the zoom adjustment screen is displayed.
- Use the arrow buttons on the control panel or remote control to adjust the image size.

H/V-Keystone

You can correct distortion in the horizontal and vertical directions independently.

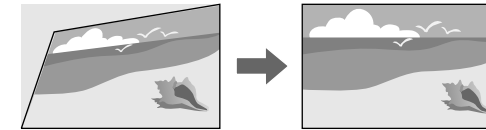


Execution Method

- Settings > Geometry Correction > H/V-Keystone

Quick Corner

You can correct each of the four corners of the projected image independently.

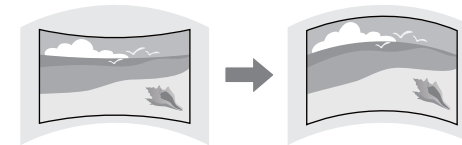


Execution Method

- Settings > Geometry Correction > Quick Corner

Curved Surface

You can correct the corners and sides of an image projected on a curved surface with the same radius.

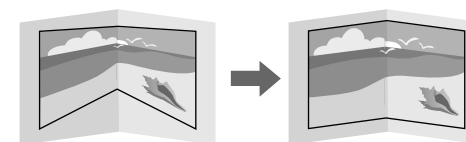


Execution Method

- Settings > Geometry Correction > Curved Surface

Corner Wall

You can correct the corners and sides of an image projected on a curved surface with right angles.



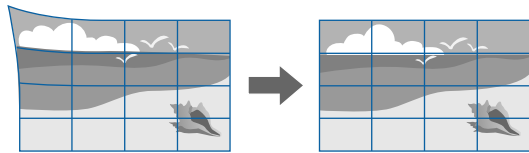
Execution Method

- Settings > Geometry Correction > Corner Wall

Point Correction

This feature divides the projected image into a grid and corrects the distortion in 0.5 pixel increments by moving the selected point of intersection from side to side and up and down.

You can switch to the mode that corrects all points in a specified vertical column or horizontal row at once.



Execution Method

☛ Settings > Geometry Correction > Point Correction

Adjusting the Image Quality

This section provides instructions to adjust the quality of your image.

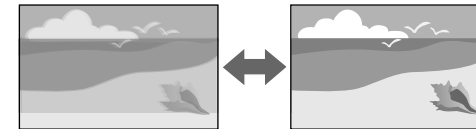
▶ Related Links

- "Focus/Distortion" [p.51](#)
- "Color Mode" [p.51](#)
- "Image Enhancement" [p.52](#)
- "Dynamic Tone Mapping" [p.52](#)
- "Gamma" [p.52](#)
- "RGBCMY" [p.52](#)
- "Light Output" [p.52](#)

Focus/Distortion

You can correct the focus and the image distortion.

If you installed an optional short throw lens, correct the focus at the center of your screen first, and then correct any distortion in the surrounding area. When you focus on the center of your screen, the surrounding area may be distorted and out of focus.



Execution Method

- Press the [Focus] button on the remote control to correct the focus.
- Press the [Distortion] button on the remote control to correct the image distortion.
- Press the [Lens] button on the control panel until the focus adjustment screen or the distortion adjustment screen is displayed.
- Use the arrow buttons on the control panel or remote control to correct the focus or the distortion.



This projector operates in 4K display using shift technology. If you have difficulty adjusting the focus or the image distortion, use the [Enter] button on the remote control to select 4K <-> Full HD.

Color Mode

The projector offers different color modes to provide optimum brightness, contrast, and color for a variety of viewing environments and image types. You can select the mode designed to match your image and environment, or experiment with the available modes.

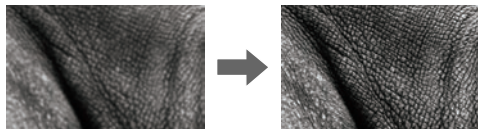
Execution Method

- Press the [Color Mode] button on the remote control.
- Change the projector's menu:

☛ Image > Color Mode

Image Enhancement

You can adjust the resolution of the image to reproduce a clear image with an emphatic texture and material feel.



Execution Method

☛ Image > Image Enhancement

Dynamic Tone Mapping

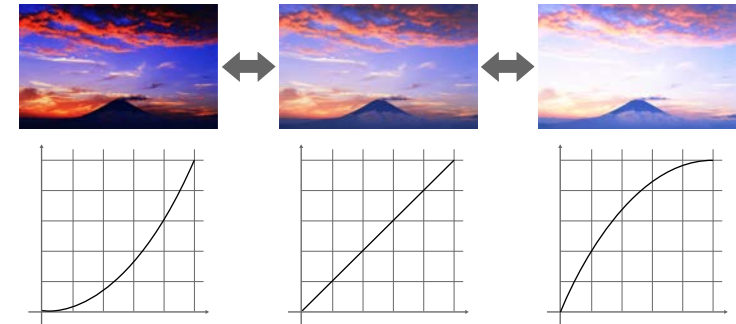
You can optimize the PQ (Perceptual Quantizer) curve settings based on the brightness of the projected HDR content.

Execution Method

☛ Image > Advanced > Dynamic Tone Mapping

Gamma

You can adjust the halftone brightness by selecting one of the gamma correction values, or referring to a gamma graph.

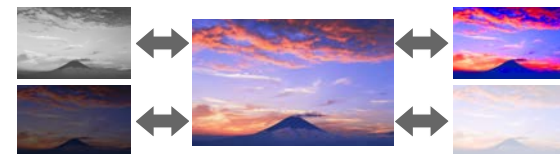


Execution Method

☛ Image > Advanced > Gamma

RGBCMY

You can adjust the Hue, Saturation, and Brightness of each color R (red), G (green), B (blue), C (cyan), M (magenta), Y (yellow) individually.



Execution Method

☛ Image > Advanced > RGBCMY

Light Output

You can select the brightness for the light source.



Execution Method

☛ Image > Light Output

Maintaining the Projector Quality

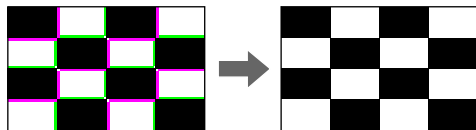
This section provides information about maintaining the quality of projected images.

▶ Related Links

- "Panel Alignment" [p.53](#)
- "Color Uniformity" [p.53](#)
- "Refresh Mode" [p.53](#)
- "Light Source Calibration" [p.53](#)

Panel Alignment

You can adjust the pixel color shift for the LCD panel. You can adjust the pixels horizontally and vertically in 0.125 pixels increments within a range of ± 3 pixels.

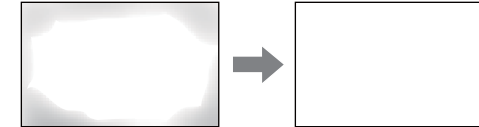


Execution Method

☛ Extended > Display > Panel Alignment

Color Uniformity

You can use the **Color Uniformity** feature to manually adjust the color tone balance in the projected image.



Execution Method

☛ Extended > Display > Color Uniformity

Refresh Mode

The refresh mode process clears any projected afterimage and turns off the projector after a specified period of time.

Execution Method

☛ Reset > Refresh Mode

Light Source Calibration

The light source calibration process optimizes the color balance of the currently projected image.

Execution Method

☛ Reset > Light Source Calibration

Managing the Projector's Settings

This section provides information about managing the projector's settings.

► Related Links

- "Memory" [p.54](#)
- "Control Panel Lock" [p.54](#)
- "Lens Lock" [p.54](#)

Memory

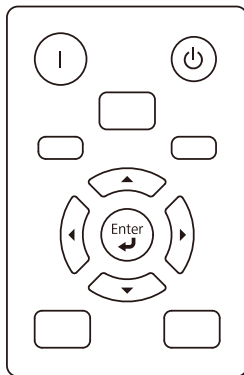
You can save customized settings and then select the saved settings whenever you want to use them.

Execution Method

- Press the [Memory] button on the remote control.
- Change the projector's menu:
 - ☛ Settings > Memory

Control Panel Lock

Button lock security to block operation of the projector using the buttons on the control panel.



Even if you can lock the buttons on the control panel, you can still use the remote control as usual.

Execution Method

- Hold down the control panel lock button on the control panel.
To unlock the control panel buttons, hold down the [Enter] button on the control panel for approximately 7 seconds.
- Execute from projector menu.
 - ☛ Settings > Lock Setting > Control Panel Lock

Lens Lock

You can disable [Lens Shift], [Zoom], [Focus], [Distortion], and [Calibration] button operations on the remote control.

Execution Method

- ☛ Settings > Lock Setting > Control Panel Lock

After selecting the projector's menu settings for one projector, you can use the following methods to copy the settings to other projectors, as long as they are the same model and the same firmware version.

- by using a USB flash drive
- by connecting a computer and projector using a USB cable

You cannot copy any information unique to an individual projector, such as **Light Source Hours** or **Status**.



- Perform batch setup before adjusting the image settings such as keystone distortion correction. Since image adjustment values are also copied to another projector, the adjustments you made before performing the batch setup are overwritten and the projected screen you adjusted may change.
- When copying the menu settings from one projector to another, user's logo is also copied. Do not register the information that you do not want to share between multiple projectors as a user's logo.
- Make sure **Batch Setup Range** is set to **Limited** if you do not want to copy the following settings:
 - EDID in the **Signal** menu
 - **Network** menu settings (except for the **Others** menu)

Caution

Epson takes no responsibility for batch setup failures and associated repair costs due to power outages, communication errors, or other problems that may cause such failures.

▶ **Related Links**

- "Transferring Settings From a USB Flash Drive" [p.55](#)
- "Transferring Settings From a Computer" [p.56](#)
- "Batch Setup Error Notification" [p.57](#)

Transferring Settings From a USB Flash Drive

You can copy menu settings from one projector to another of the same model using a USB flash drive.



- The USB flash drive must be formatted in FAT 32, be smaller than 32 GB, and not have any security functions. Delete any files on the drive before using it for batch setup or the settings may not be saved correctly.
- You can also use this batch setup method from the projector's menu.

- 1** Disconnect the power cord from the projector, and check that all of the projector's indicators have turned off.
- 2** Connect an empty USB flash drive directly to the projector's USB-A port.
- 3** Hold down the [Esc] button on the remote control or the control panel and connect the power cord to the projector.
- 4** When all of the projector's indicators other than the filter indicator turn on, release the [Esc] button.

The indicators start flashing and the batch setup file is written to the USB flash drive. When writing is finished, the projector turns off.

Caution

Do not disconnect the power cord or the USB flash drive from the projector while the file is being written. If the power cord or USB flash drive is disconnected, the projector may not start correctly.

- 5 Remove the USB flash drive.



The file name for the batch setup file is PJCONFDATA.bin. If you need to change the file name, add text after PJCONFDATA using only alphanumeric characters. If you change the PJCONFDATA section of the file name, the projector may not be able to recognize the file correctly.

- 6 Disconnect the power cord from the projector to which you want to copy settings, and check that all of the projector's indicators have turned off.
- 7 Connect the USB flash drive containing the saved batch setup file to the projector's USB-A port.
- 8 Hold down the [Menu] button on the remote control or the control panel and connect the power cord to the projector.
- 9 When all of the projector's indicators other than the filter indicator turn on, release the [Menu] button. (The indicators remain on for approximately 75 seconds.)

When all of the indicators start flashing, the settings are being written. When writing is finished, the projector turns off.

Caution

Do not disconnect the power cord or the USB flash drive from the projector while the file is being written. If the power cord or USB flash drive is disconnected, the projector may not start correctly.

- 10 Remove the USB flash drive.

Transferring Settings From a Computer

You can copy menu settings from one projector to another of the same model by connecting the computer and projector with a USB cable.



- You can use this batch setup method with the following operating system versions:
 - Windows 10 and later
 - macOS 10.13.x and later
- You can also use this batch setup method from the projector's menu.

- 1 Disconnect the power cord from the projector, and check that all of the projector's indicators have turned off.
- 2 Connect a USB cable to the computer's USB port and to the projector's Service port.
- 3 Hold down the [Esc] button on the remote control or the control panel and connect the power cord to the projector.
- 4 When all of the projector's indicators other than the filter indicator turn on, release the [Esc] button.
The computer recognizes the projector as a removable disk.
- 5 Open the removable disk icon or folder, and save the batch setup file to the computer.



The file name for the batch setup file is PJCONFDATA.bin. If you need to change the file name, add text after PJCONFDATA using only alphanumeric characters. If you change the PJCONFDATA section of the file name, the projector may not be able to recognize the file correctly.

- 6** Eject the USB device (Windows) or drag the removable disk icon to the Trash (Mac).
- 7** Disconnect the USB cable.
The projector turns off.
- 8** Disconnect the power cord from the projector to which you want to copy settings, and check that all of the projector's indicators have turned off.
- 9** Connect the USB cable to the computer's USB port and to the projector's Service port.
- 10** Hold down the [Menu] button on the remote control or the control panel and connect the power cord to the projector.
- 11** When all of the projector's indicators other than the filter indicator turn on, release the [Menu] button.
The computer recognizes the projector as a removable disk.
- 12** Copy the batch setup file (PJCONFDATA.bin) that you saved to your computer to the top level folder of the removable disk.



Do not copy any files or folders other than the batch setup file to the removable disk.

- 13** Eject the USB device (Windows) or drag the removable disk icon to the Trash (Mac).
- 14** Disconnect the USB cable.
When all of the indicators start flashing, the settings are being written.
When writing is finished, the projector turns off.

Caution

Do not disconnect the power cord from the projector while the file is being written. If the power cord is disconnected, the projector may not start correctly.

Batch Setup Error Notification

The projector's indicators notify you if an error occurs during a batch setup operation. Check the status of the projector's indicators and follow the instructions described in the table here.

| Indicator status | Problem and solutions |
|--|--|
| <ul style="list-style-type: none"> • Laser: Orange - flashing fast • Temp: Orange - flashing fast | <p>The batch setup file may be corrupt, or the USB flash drive may not be connected correctly.</p> <p>Disconnect the USB flash drive, unplug and then plug in the projector's power cord, and then try again.</p> |
| <ul style="list-style-type: none"> • Power: Blue - flashing fast • Status: Blue - flashing fast • Laser: Orange - flashing fast • Temp: Orange - flashing fast | <p>Writing the settings may have failed and an error may have occurred in the projector's firmware.</p> <p>Stop using the projector, remove the power plug from the electrical outlet. Contact Epson for help.</p> |

Menu Settings

Refer to these sections to learn more about your projector's settings.

▶ Related Links

- "Image Menu" [p.59](#)
- "Signal Menu" [p.64](#)
- "Settings Menu" [p.67](#)
- "Extended Menu" [p.74](#)
- "Network Menu" [p.80](#)
- "Info Menu" [p.85](#)
- "Reset Menu" [p.88](#)

Settings on the **Image** menu let you adjust the quality of your image. The available settings depend on the currently selected color mode and input source. The settings are saved separately for each selected color mode.

► Related Links

- "Light Output" [p.59](#)
- "Color Mode" [p.59](#)
- "Brightness" [p.59](#)
- "Contrast" [p.59](#)
- "Color Saturation" [p.60](#)
- "Tint" [p.60](#)
- "Sharpness" [p.60](#)
- "White Balance" [p.60](#)
- "Color Matching" [p.60](#)
- "Image Preset Mode" [p.61](#)
- "Frame Interpolation" [p.61](#)
- "Super-resolution" [p.61](#)
- "Auto Contrast Enhancement" [p.61](#)
- "Dynamic Tone Mapping" [p.61](#)
- "Scene Adaptive Gamma" [p.62](#)
- "Gamma" [p.62](#)
- "RGBCMY" [p.62](#)
- "Dynamic Contrast" [p.62](#)
- "Lights-Out Control" [p.62](#)
- "Reset (Image menu)" [p.63](#)

Light Output

🖱 Image > Light Output

You can adjust the brightness of your projector's light source.

Color Mode

🖱 Image > Color Mode

You can adjust the vividness of image colors for various image types and environments. The brightness of the image varies depending on the mode selected.

Dynamic

This is the brightest mode. Ideal for use in a bright room.

Vivid

Best for enjoying content with bright colors.

Cinema

Gives images a natural tone. Ideal for watching films in a dark room.

Natural

Reproduces colors faithfully. Ideal for projecting still pictures such as photos.



You can also change the projector's Color Mode using the [Color Mode] button on the remote control.

Brightness

🖱 Image > Brightness

You can lighten or darken the overall image.



This setting does not affect light source brightness. To change the light source brightness, select **Light Output** in the **Image** menu.

Contrast

🖱 Image > Contrast

You can adjust the difference between light and dark areas of the image.

Color Saturation

☛ Image > Color Saturation

You can adjust the intensity of the image colors.

Tint

☛ Image > Tint

You can adjust the balance of green to magenta tones in the image.

Sharpness

☛ Image > Sharpness

You can adjust the sharpness or softness of image details.

Standard

You can adjust the image sharpness so that it is sufficiently balanced.

Thin Line Enhancement

Higher values enhance the details such as hair or fabric patterns.

Thick Line Enhancement

Higher values enhance the outline, background, and the other main parts of the objects in the image to show them clearly.

White Balance

☛ Image > White Balance

You can adjust the overall tint of the image.

Color Temp.

You can adjust the overall tint of the image within a range from 3200K to 10000K. Higher values tint the image blue and lower values tint the image red.

When **Color Mode** is set to **Dynamic**, the set Color Temp. may differ from the actual Color Temp. of the light from the projector. Use this menu as a guide.

G-M Correction

Higher values tint the image green and lower values tint the image red.

Custom

You can adjust the individual R (red), G (green), and B (blue) components of the offset and gain.

Color Matching

☛ Image > White Balance > Color Matching

You can adjust the tint and brightness for the color tone from white to black. During color matching, half of the overlapped area is displayed in black so that you can check the edge of the image easily.

Adjustment Level

Select the adjustment level you want to adjust.

There are eight adjustment levels, from white to gray to black. Adjust each level individually.

Set to **All** to adjust the tint for each color from level 2 to 8 in a batch. (Once the values of red, blue, or green are at maximum or minimum at any level, you cannot perform further adjustments.)

Red/Green/Blue

You can adjust the tone for each color.

Brightness

You can adjust the image brightness.

Image Preset Mode

☛ Image > Image Enhancement > Image Preset Mode

You can set the **Image Enhancement** options as a batch using preset values.

The following settings are saved in the preset options.

- Frame Interpolation
- Super-resolution
- Auto Contrast Enhancement



- To minimize delays, select **Off**.
- If you select **Off**, you cannot set the other items in the **Image Enhancement** setting.
- After selecting **Preset 1** to **Preset 5**, you can fine tune each setting individually. The settings value in the preset option are overwritten.

Frame Interpolation

☛ Image > Image Enhancement > Frame Interpolation

You can play fast moving images smoothly by producing intermediate frames between the original frames.

If your resulting images contain noise, set to **Off**.



- You cannot select this setting in the following cases.
 - **Image Preset Mode** is set to **Off**.
 - **Image Processing** is set to **Fast** or **Auto (ALLM)**, and the current input source is compatible with ALLM (Auto Low Latency Mode).

Super-resolution

☛ Image > Image Enhancement > Super-resolution

You can reduce blurring when projecting low resolution images.

Fine Line Adjust

Higher values enhance details such as hair or fabric patterns.

Soft Focus Detail

Higher values enhance the outline, background, and the other main parts of the objects in the image to show them clearly.



You cannot select this setting when the **Image Preset Mode** setting is set to **Off**.

Auto Contrast Enhancement

☛ Image > Image Enhancement > Auto Contrast Enhancement

You can create a clearer and sharper image by automatically adjusting the contrast of the projected image.



You cannot select this setting when the **Image Preset Mode** setting is set to **Off**.

Dynamic Tone Mapping

☛ Image > Advanced > Dynamic Tone Mapping

You can optimize the PQ (Perceptual Quantizer) curve settings based on the brightness of the projected HDR content.

Set to **On** to improve the visibility of dark and bright images.



This setting is displayed only when:

- **Dynamic Range** is set to **Auto** and **Signal Status** is **HDR10**.
- **Dynamic Range** is set to **HDR10**.

Scene Adaptive Gamma

Image > Advanced > Scene Adaptive Gamma

You can adjust the coloring according to the scene and obtain a more vivid image.

Higher values enhance the more the contrast.

Gamma

Image > Advanced > Gamma

You can adjust the coloring by selecting one of the gamma correction values, or referring to a gamma graph. If you want to make finer adjustments, select **Customized**.

When you select a smaller value, you can reduce the overall brightness of the image to make the image sharper. When you select a larger value, the dark areas of images become brighter, but the color saturation for lighter areas may become weaker.



- Project a still picture to adjust the Gamma. You cannot adjust the Gamma correctly when projecting movies.
- Medical images may not be reproduced correctly depending on your settings and screen specifications.

RGBCMY

Image > Advanced > RGBCMY

You can adjust the Hue, Saturation, and Brightness of each color R (red), G (green), B (blue), C (cyan), M (magenta), Y (yellow) individually.

Dynamic Contrast

Image > Dynamic Contrast

You can adjust the projected luminance based on the image brightness.

Dynamic Contrast

Set to **On** to automatically adjust the amount of light.

Response Speed

Select **High Speed** to adjust the amount of light as soon as the scene changes.

Black Level

Set the black level when the brightness level of the image signal is zero. When you select **0%**, the light source turns off.

Lights-Out Control

Image > Lights-Out Control

You can set the light source to turn off automatically.

Lights-Out Control

Set to **On** to automatically turn off the light source when the signal level falls below the reference level for a set period of time.

Lights-Out Signal Level

Set the brightness level for the video signal being controlled. After turning off automatically, it turns on immediately when exceeding the specified image level.

Lights-Out Timer

Set the amount of time before automatically turning off the light source.

Reset (Image menu)

👉 Image > Reset

You can reset all adjustment values on the **Image** menu to their default settings, except for the following:

- Color Mode

Normally, the projector automatically detects and optimizes the input signal settings. If you need to customize the settings, you can use the **Signal** menu. The available settings depend on the currently selected input source. The settings are saved separately for each selected input source.

► Related Links

- "Aspect" [p.64](#)
- "Blanking" [p.64](#)
- "Color Space" [p.64](#)
- "Dynamic Range" [p.65](#)
- "Video Range" [p.65](#)
- "EDID" [p.65](#)
- "Image Processing" [p.65](#)
- "Reset (Signal menu)" [p.66](#)

Aspect

☛ Signal > Aspect

The projector can display images in different width-to-height ratios called aspect ratios. Normally, the input signal from your video source determines the image's aspect ratio. However, for certain images you can change the aspect ratio to fit your screen.

Auto

Automatically sets the aspect ratio according to the input signal and the **Resolution** setting.

Full

Displays images using the full size of the projection area, but does not maintain the aspect ratio.

Zoom

Displays images using the full width of the projection area and maintains the aspect ratio of the image.

Anamorphic Wide

Displays images that have a 2.40:1 aspect ratio when using a commercially available anamorphic lens. Set the **Overscan** setting in the projector's **Signal** menu to **Off** or the image will not display correctly.

Horiz. Squeeze

Displays images using the full width of the projection area when using a commercially available anamorphic lens.



- The available aspect ratio setting varies depending on the input signal from your image source.
- Note that using the aspect ratio function of the projector to reduce, enlarge, or split the projected image for commercial purposes or for public viewing may infringe upon the rights of the copyright holder of that image based on copyright law.

Blanking

☛ Signal > Blanking

You can hide images in the specified area.

Use the arrow buttons on the control panel or remote control to adjust the area. You can hide up to half of the projected image in each direction (except for one pixel).



Setting is only displayed when the **Content Playback** setting is set to **Off** in the projector's **Settings** menu.

Color Space

☛ Signal > Color Space

You can switch the color space that can handle the color information of the input image.

Select **Auto** to apply a suitable color space for the AVI InfoFrame of the image.

Dynamic Range

☛ Signal > Dynamic Range

You can set the video range to match the setting of input source.

Select **Auto** to automatically identify the dynamic range of the input signal.

The result for your selected setting is displayed as **Signal Status**.

HDR10 Setting

You can adjust the PQ curve of the dynamic range in the HDR PQ (Perceptual Quantizer) method.

HLG Setting

You can adjust the HLG curve of the dynamic range in the HDR HLG (Hybrid Log Gamma) method.



- HDR10 Setting is only available when **Signal Status** is set to **HDR10**, or **Dynamic Range** is set to **HDR10**.
- HLG Setting is only available when **Signal Status** is set to **HLG**, or **Dynamic Range** is set to **HLG**.

Video Range

☛ Signal > Advanced > Video Range

You can set the video range to match the setting of input source from the HDMI.

Limited (16-235)

For the color tone range 16 to 235.

Full (0-255)

For the color tone range 0 to 255.

EDID

☛ Signal > Advanced > EDID

Even if you setup multiple displays with different resolutions, you can set the same EDID as the standard display and switch the EDID of the current source to unify the EDID across the displays.

EDID Mode

You can set the EDID options as a batch using preset values.

The following settings are saved in the preset options.

- Resolution
- Refresh Rate
- Color Depth

You can change the preset settings if necessary.



- Select **Reset** to reset all adjustment values for EDID to their default values.

Image Processing

☛ Signal > Advanced > Image Processing

You can improve the response speed for images projected at high speed.

Auto (ALLM)

Automatically adjust the response speed according to your projected content.



This setting is displayed only when **EDID Mode** is set to **Up to 4K 120Hz 40Gbps** or **2560x1080(21:9)**.

Fine

Improves the response speed for images by selecting **Off** for **Frame Interpolation**.

Fast

Disables the **Frame Interpolation** setting.

Reset (Signal menu)

☛ Signal > Reset

You can reset all adjustment values on the **Signal** menu to their default settings, except for the following:

- EDID

Options on the **Settings** menu let you customize various projector features.

▶▶ Related Links

- "Geometry Correction" [p.67](#)
- "Volume" [p.68](#)
- "HDMI Link" [p.69](#)
- "Control Panel Lock" [p.69](#)
- "Lens Lock" [p.69](#)
- "Remote Receiver" [p.69](#)
- "User Button" [p.70](#)
- "Test Pattern" [p.70](#)
- "Memory" [p.70](#)
- "Content Playback" [p.71](#)
- "Reset (Settings menu)" [p.73](#)

Geometry Correction

☛ Settings > Geometry Correction

You can adjust image shape to rectangular. After correction, your image is slightly smaller.

You can check the available adjustment range in the projector's *Specifications*.

Off

Temporarily cancels geometry correction. Even when set to **Off**, the correction values are saved.

H/V-Keystone

Manually corrects distortion in the horizontal and vertical directions independently. If the image aspect is incorrect, adjust the image balance by using **V-Balance** and **H-Balance**.

You cannot combine with other correction methods.

Quick Corner

Corrects each of the four corners of the projected image independently.

Curved Surface

Corrects the corners and sides of an image projected on a curved surface with the same radius.



- Move the lens position to the home position.
- If a large amount of adjustment is performed, the focus may not be uniform even after making adjustments.
- If you set the **Maintain Aspect Ratio** setting to **On** after correcting the corrections may not be applied. Reset the corrections to their default values or reduce the amount of correction, and try it again.
- If you change the standard line during correcting, the present settings are reset.

Corner Wall

Corrects the corners and sides of an image projected on a curved surface with right angles.

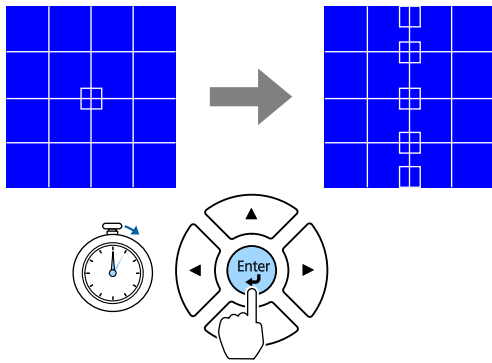


- Move the lens position to the home position.
- If a large amount of adjustment is performed, the focus may not be uniform even after making adjustments.
- We recommend you adjust the image shape based on the point nearest to the center of the screen.

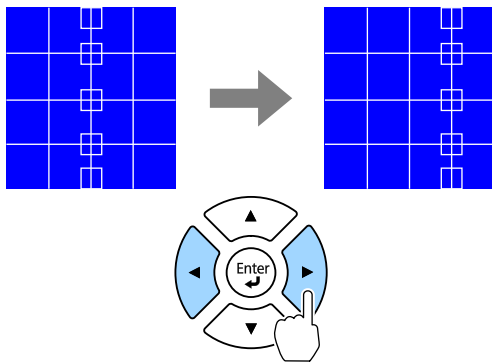
Point Correction

Divides the projected image into a grid and corrects the distortion in 0.5 pixel increments by moving the selected point of intersection in any direction. You can move the points on the grid between 0.5 to 600 pixels in any direction, including outside the projection range.

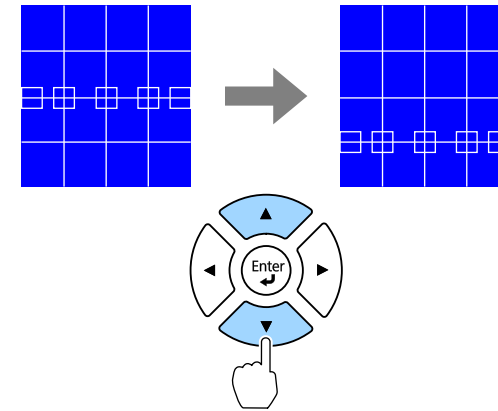
Hold down the [Enter] button to switch to the mode that corrects all points in a specified vertical column or horizontal row at once.



- Use the left and right arrow buttons to select the column you want to adjust, and then press [Enter].



- Use the up and down arrow buttons to select the row you want to adjust, and then press [Enter].



Memory

You can save the shape of an image you have adjusted and load it when needed.



- You can also open the Geometry Correction screen using the [Geometry] button on the control panel or remote control.
- You can also open the Memory screen using the [Memory] button on the remote control.

Volume

Settings > Volume

You can adjust the volume of the speaker connected to the projector's Audio Out port.

Caution

Do not start a presentation at a high volume setting. Sudden loud noises may cause hearing loss.

Always lower the volume before powering off, so that you can power on and then gradually increase the volume.

HDMI Link

☛ Settings > HDMI Link

You can adjust the HDMI Link options that allow the projector remote to control HDMI-connected devices.

Device Connections

The devices connected to the HDMI ports are listed.

HDMI Link

Set to **On** to enable the HDMI Link features.

Audio Out Device

To output audio from the speaker connected to the projector's Audio Out port, select **Projector**. When an audio/video system is connected to the projector and you want to output audio from it, select **AV System**. When an audio/video system is not connected to the projector, audio is output from the speaker connected to the Audio Out port even if **Audio Out Device** is set to **AV System**.

Power On Link

You can control what happens when you turn on the projector or connected device.

- **Bidirectional**: automatically turns on the connected device when you turn on the projector, and vice versa.
- **Device -> PJ**: automatically turns on the projector when you turn on the connected device.
- **PJ -> Device**: automatically turns on the connected device when you turn on the projector.

Power Off Link

You can control whether connected devices are turned off when you turn off the projector.



Set the **HDMI Link** setting to **On** first to adjust the options.

Control Panel Lock

☛ Settings > Lock Setting > Control Panel Lock

You can control projector button locking to secure the projector.

Full Lock

All buttons locked.

Partial Lock

All buttons except for the [On] button and the [Standby] button locked.

Off

No buttons locked.



- You can control projector button locking using the control panel lock button on the control panel.
- To unlock the buttons, hold down the [Enter] button on the control panel for approximately 7 seconds. A message is displayed and the lock is released.

Lens Lock

☛ Settings > Lock Setting > Lens Lock

You can disable [Lens Shift], [Zoom], [Focus], [Distortion], and [Calibration] button operations on the remote control.

Remote Receiver

☛ Settings > Remote Receiver

When the remote control does not operate stably due to noise from other devices, you can limit reception of remote control signals to the selected receiver; **Off** turns off all receivers.



You can turn on all remote receivers by holding down the [Menu] button on the remote control for approximately 15 seconds.

User Button

☛ Settings > User Button

You can assign the following menu options to the [User] buttons on the remote control for one-touch access.

- Display the QR Code
- Image Enhancement
- Frame Interpolation
- Link Menu
- Content Playback
- USB



The USB option is only displayed when **Content Playback** is set to **On**.

Test Pattern

☛ Settings > Test Pattern

You can display a test pattern to assist in focusing and zooming the image and correcting image shape.

Display Position

You can display an internal pattern without connecting a computer or video device.

Color Isolation: R

You can display the red component of the projected image.

Color Isolation: G

You can display the green component of the projected image.

Color Isolation: B

You can display the blue component of the projected image.



- Press the [Page] button to change the test pattern while displaying a test pattern.
- Press the [Esc] button to cancel pattern display.
- To set menu items that cannot be set while the test pattern is being displayed or to fine-tune the projected image, project an image from the connected device.
- To display **Color Isolation**, you need to project an image from the connected video source.
- You can also display a test pattern using the [Test Pattern] button on the control panel or remote control.

Memory

☛ Settings > Memory

You can save customized settings and then select the saved settings whenever you want to use them.

Memory

You can save the following settings. You can register up to 10 memories with different names.

- **Image** menu settings

Lens Position

You can save the position of the lens adjusted using lens shift, zoom, focus, and distortion. You can register up to 10 memories with different names.

Geometry Correction

You can save the adjustment value of the geometry correction. You can register up to 3 memories with different names.

You can use the following options for each memory type.

Load Memory

You can load the saved memory. The settings applied to the current image are replaced with the settings in the memory.

Save Memory

You can save your current settings to memory.

Erase Memory

You can erase the selected memory settings.

Rename Memory

You can rename a saved memory.

Reset Memory Settings

You can delete all saved memories.



- A memory name that has already been used is indicated by a blue mark. Saving over a previously saved memory overwrites the settings with your current settings.
- The lens position when a memory is loaded may not completely match the lens position when the memory was saved. If there is a large discrepancy between the lens position, calibrate the lens.
- You can also open the Memory screen using the [Memory] button on the remote control.



- You cannot select the **Overlay Effect** setting in the following cases.
 - When the current source is USB and there is no playlist being played.
 - When the current source is USB and a writing error has occurred.
- You can use the following methods to create playlists.
 - Using Epson Projector Content Manager on your computer.
You can download and install Epson Projector Content Manager from the following Web site.
epson.sn
 - Using Epson Web Control with a Web browser.
 - Using Epson Creative Projection on iOS devices.
You can download Epson Creative Projection from the App Store. Any fees incurred when communicating with the App Store are the responsibility of the customer.
- When you assign the USB function to the [User] button on the remote control using the **User Button** setting in the projector's **Settings** menu, you can start the playlist by pressing the [User] button. When there is a timetable assigned, the playlist will play back according to the schedule in the timetable.
- You can also hold down the [Num] and numeric buttons to project your favorite playlist. You can set a remote control shortcut key using the software you used to create the playlists.

Content Playback

Settings > Content Playback

You can easily project your digital signage content: playlists that contain images and movies saved on an external storage device.

Content Playback

Set to **On** to play back a playlist.

Overlay Effect

You can add color and shape effects to the projected image.

USB Viewer

You can select and play back a playlist saved on the USB flash drive.

▶▶ Related Links

- "Creating Playlists Using Epson Web Control" [p.71](#)
- "Supported Content Playback Mode File Types" [p.72](#)
- "Content Playback Mode Restrictions" [p.73](#)

Creating Playlists Using Epson Web Control

In Content Playback mode, you can create playlists using a Web browser and save them to a USB flash drive connected to a projector on a network.

Attention

Do not remove the USB flash drive from the projector or disconnect the projector's power cord while creating playlists. Data saved on the USB flash drive may be damaged.

- 1** Make sure the projector is operating in Content Playback mode.
- 2** Make sure your computer or device is connected to the same network as the projector.
- 3** Make sure a USB flash drive is connected to the projector's USB-A port.
- 4** Start your Web browser on your computer or device.
- 5** Go to the Epson Web Control screen by entering the projector's IP address into the browser's address box. When entering an IPv6 address, wrap the address with [and].
- 6** Select **USB Memory Device**.
- 7** Select **Upload New Data**.
- 8** Select the images or movies you want to add to the playlist.



You can upload .avi, .jpeg (.jpg), .png, .bmp, or .gif files.
If you want to add .mp4 or .mov files to the playlist, use the Epson Projector Content Manager software or the Epson Creative Projection app.

The selected files are copied to the connected USB flash drive.

- 9** Do one of the following:
 - To add them to the existing playlist, select **Add to Playlist** and select the playlist you want to add them to.
 - To create a new playlist and add them to it, select **Create New Playlist**.
- 10** Edit the playlist.
- 11** When you have finished editing the playlist, select **Finish**.



- See the section in this guide covering Web Control Options for details.
- You can play the playlist from the **Remote** or **Playlist** screen.
- When you want to specify when the playlist starts and finishes, schedule the playlist using the Epson Projector Content Manager software.

» Related Links

- "Epson Web Control" [p.91](#)

Supported Content Playback Mode File Types

You can project these types of files using the projector's Content Playback feature.

| File contents | File type (extension) | Details |
|---------------|-----------------------|---|
| Image | .jpg | <ul style="list-style-type: none"> We recommend JPEGs taken with a digital still camera that complies with the Exif standard. The number of vertical and horizontal pixels must be a multiple of 8. Make sure the file is not: <ul style="list-style-type: none"> Progressive format Above 8192 × 8192 resolution |
| | .bmp | Make sure the file is not: <ul style="list-style-type: none"> Above 1280 × 800 resolution |
| | .gif | <ul style="list-style-type: none"> The image must be a transparent gif with a black background. Make sure the file is not: <ul style="list-style-type: none"> Above 1280 × 800 resolution Animated Interlaced |
| | .png | Make sure the file is not: <ul style="list-style-type: none"> Above 1280 × 800 resolution Interlaced |
| Movie | .avi (Motion JPEG) | <ul style="list-style-type: none"> Version: AVI 1.0 only Resolution: 1280 × 800 or less Size: 2 GB or less Movie Codec: Motion JPEG Audio Codec: LPCM, IMA ADPCM, or no audio Audio Sampling Rate: 11.025 kHz, 22.05 kHz, 44.1 kHz, 16 kHz, 24 kHz, 32 kHz, or 48 kHz |

Content Playback Mode Restrictions

Operating restrictions

The following operations cannot be performed in Content Playback mode.

- Changing the **Color Temp.** setting in the **Image** menu (when **Warm White** or **Cool White** is selected as **Color Filter**)
- Blanking
- Changing the **Display Background** setting in the **Extended** menu
- Changing the **Log Save Destination** setting in the **Extended** menu
- Detecting the input signal automatically
- Changing **Remote Password** in the **Network Settings** menu

Reset (Settings menu)

Settings > Reset

You can reset all adjustment values on the **Settings** menu to their default settings, except for the following:

- Audio Out Device
- Power On Link
- Power Off Link
- User Button
- Test Pattern

Settings on the **Extended** menu let you customize various projector setup features.

▶ Related Links

- "Menu Position" [p.74](#)
- "Message Position" [p.74](#)
- "Messages" [p.74](#)
- "Display Background" [p.74](#)
- "Startup Screen" [p.74](#)
- "Standby Confirmation" [p.75](#)
- "Air Filter Notice" [p.75](#)
- "Panel Alignment" [p.75](#)
- "Color Uniformity" [p.75](#)
- "OSD Rotation" [p.76](#)
- "User's Logo" [p.76](#)
- "Projection" [p.76](#)
- "Direct Power On" [p.76](#)
- "Sleep Mode" [p.76](#)
- "Sleep Mode Timer" [p.77](#)
- "High Altitude Mode" [p.77](#)
- "Auto Source Search" [p.77](#)
- "Startup Source" [p.77](#)
- "A/V Mute Settings" [p.77](#)
- "Indicators" [p.77](#)
- "Log Save Destination" [p.77](#)
- "Batch Setup Range" [p.78](#)
- "AC Voltage Monitoring" [p.78](#)
- "Date & Time" [p.78](#)
- "Lens Calibration" [p.78](#)
- "Standby Mode" [p.78](#)
- "Projector ID" [p.79](#)
- "Language" [p.79](#)
- "Reset (Extended menu)" [p.79](#)

Menu Position

☛ **Extended > Display > Menu Position**

You can select the position of the projector menu displayed on the screen.

Message Position

☛ **Extended > Display > Message Position**

You can select the position of messages displayed on the screen.

Messages

☛ **Extended > Display > Messages**

You can control whether messages are displayed on the screen.

Display Background

☛ **Extended > Display > Display Background**

You can select the screen color or logo to display when no signal is received.



Setting is only displayed when **Content Playback** is set to **Off**.

Startup Screen

☛ **Extended > Display > Startup Screen**

You can control whether a special screen appears when the projector starts up.

Standby Confirmation

☛ Extended > Display > Standby Confirmation

You can display a confirmation message after pressing the [Standby] button on the remote control.

When set to **Off**, you can turn off the projector simply by pressing the [Standby] button once.

Air Filter Notice

☛ Extended > Display > Air Filter Notice

You can display a message when a clog in the air filter is detected.

Panel Alignment

☛ Extended > Display > Panel Alignment

You can use the panel alignment feature to manually adjust the color convergence (the alignment of the red and blue colors) in the projected image. You can adjust the pixels horizontally and vertically in increments of 0.125 pixels within a range of ± 3 pixels.

Panel Alignment

Set to **On** to correct color misalignment in the projected image.

Select Color

Select the color you want to adjust.

Pattern Color

Select the grid color displayed during adjustments.

- R/G/B to display the grid color in white.
- R/G to display the grid color in yellow.
- G/B to display the grid color in cyan.

The available color varies depending on the **Select Color** setting.

Start Adjustments

Starts the panel alignment process.

The image may become distorted while adjusting. The image is restored once adjustments are complete.

- **Shift the whole panel** to adjust the whole panel roughly.
- **Adjust the four corners** to adjust the four corners of the panel precisely. If you need to make additional adjustments, select **Select intersection and adjust** to adjust more precisely.

Reset

You can reset all adjustment values on the **Panel Alignment** menu to their default settings.



- Image quality may decline after performing alignment.
- Images for pixels that extend beyond the edge of the projected screen are not displayed.

Color Uniformity

☛ Extended > Display > Color Uniformity

You can use the color uniformity feature to manually adjust the color tone balance in the projected image.

Color Uniformity

Set to **On** to adjust the color tone balance for the whole screen.

Adjustment Level

Select the adjustment level you want to adjust.

There are eight adjustment levels, from white to gray to black. Adjust each level individually.

Set to **All** to adjust the tint for each color from level 2 to 8 in a batch. (Once the values of red, blue, or green are at maximum or minimum at any level, you cannot perform further adjustments.)

Start Adjustments

Starts adjustments for the selected adjustment level.

The image may become distorted while adjusting. The image is restored once adjustments are complete.

Adjust the outer areas first, and then adjust the entire screen.

Reset

You can reset all adjustment values on the **Color Uniformity** menu to their default settings.



The color tone may not be uniform even after adjusting the color uniformity.



- When you copy the menu settings from one projector to another using the batch setup feature, user's logo is also copied. Do not register the information that you do not want to share between multiple projectors as a user's logo.
- You cannot save content that is protected by HDCP.
- When **Content Playback** is set to **On**, you can display the user's logo only when the projector starts up.
- Adjustments for image shape and display range are temporarily canceled when you select **User's Logo**.

OSD Rotation

☛ Extended > Display > OSD Rotation

You can rotate the menu display 90°.

User's Logo

☛ Extended > User's Logo

You can save an image on the projector and display it whenever the projector turns on. You can also display the image when the projector is not receiving an input signal. This image is called the user's logo screen.

You can select a photo, graphic, or company logo as the user's logo, which is useful in identifying the projector's owner to help deter theft.

Display the image you want to project as the user's logo and then select this setting.

Projection

☛ Extended > Projection

You can set the way the projector faces the screen so the image is oriented correctly.

Direct Power On

☛ Extended > Operation > Direct Power On

Set to **On** to turn on the projector by plugging it in without pressing the power button.

Note that the projector also turns on automatically in cases such as recovery from a power outage.

Sleep Mode

☛ Extended > Operation > Sleep Mode

Set to **On** to automatically turns off the projector after an interval of inactivity.

Sleep Mode Timer

☛ Extended > Operation > Sleep Mode Timer

You can set the time before the projector automatically turns off from 1 to 30 minutes.



This function is enabled only when **Sleep Mode** is set to **On**.

High Altitude Mode

☛ Extended > Operation > High Altitude Mode

When operating the projector at an altitude where the air is thin, the normal rotation speed of the fans is not enough to cool the projector.

Set to **On** to increase the rotation speed of the fans at altitudes above 1500 m.



When set to **On**, the projector's operating temperature will rise.

Auto Source Search

☛ Extended > Operation > Auto Source Search

Set to **On** to detect the input signal automatically and project images when there is no input signal.



• Setting is only displayed when **Content Playback** is set to **Off**.

Startup Source

☛ Extended > Operation > Startup Source

You can select the image source you want to project when the projector is turned on in Content Playback mode.

A/V Mute Settings

☛ Extended > Operation > A/V Mute Settings

You can adjust the A/V Mute settings.

A/V Mute Timer

Turns off the projector automatically if **A/V Mute** is enabled and 2 hours of inactivity has passed.

Release A/V Mute

Select **A/V Mute** if you want to use only the [Shutter] button to turn off A/V mute or if you want to send a command to turn off A/V Mute, or select **Any Button** to use any button to turn it off.

Indicators

☛ Extended > Operation > Advanced > Indicators

Set to **Off** to turn off the indicator lights on the projector except when an error or warning occurs.

Log Save Destination

☛ Extended > Operation > Advanced > Log Save Destination

You can set where you want to save the operation logs for the projector.

Select **USB and Internal Memory** to save logs as text files (.log) to a USB flash drive inserted into the projector's USB-A port.



Setting is only displayed when **Content Playback** is set to **Off**.

Batch Setup Range

☛ Extended > Operation > Advanced > Batch Setup Range

You can select which menu settings you want copied.

All

Select this to copy all of the projector menu settings using the batch setup feature.

Limited

Select this if you do not want to copy the **EDID** and **Network** menu settings.

AC Voltage Monitoring

☛ Extended > Operation > Advanced > AC Voltage Monitoring

Set to **On** to monitor the projector's voltage status and obtain a log when a warning, disconnection, or power blockage occurs.

If you regularly turn off the projector by turning off the power outlet (direct shutdown), set to **Off**.



You can view the log in the projector's **Info** menu.

☛ Info > Voltage Warning Info

Date & Time

☛ Extended > Operation > Date & Time

You can adjust the projector's system time and date settings.

Daylight Saving Time

Adjust the daylight saving time settings for your region.

Internet Time

Turn on this setting to update the date and time automatically through an Internet time server.

Lens Calibration

☛ Extended > Operation > Lens Calibration

You can view information about the lens currently in use.

It takes up to approximately 100 seconds. When calibration is finished, the lens returns to the same position it was in before calibration.

The following lenses return to the standard position.

- ELPLX02S
- ELPLX02WS

Standby Mode

☛ Extended > Standby Mode

Set to **Communication On** to monitor and control the projector over a network.



- Even if **Communication On** is set for a wired LAN connection, if the connection between the projector and the network device is not established for more than 15 minutes, the projector will enter a power status in which network communication is not possible.

The following shows the statuses when the connection between the projector and the network device is not established:

- A LAN cable is not connected
- The power is off for network devices such as hubs

Projector ID

☛ Extended > Projector ID

You can set the projector to a particular ID number which allows you to use a remote control to individually control projectors. This is useful when you want to control multiple projectors using one remote control.



- You need to set the remote control's ID to match the projector's ID to operate only a particular projector.
To set the remote control's ID, set the remote control [ID] switch to **On**. Press the [ID] button on the remote control and press the numeric button that matches the projector's ID within 5 seconds. (Enter a one-digit or two-digit number.)
- If you do not know the projector's ID, press the [ID] button during projection to temporarily display the projector's ID and the remote control's ID on the screen. (This is only available when you use the remote control that comes with this projector.)
- You can set up to 30 IDs.

- Auto Source Search
- Release A/V Mute
- Standby Mode
- Language

Language

☛ Extended > Language

You can select the language for projector menu and message displays.

Reset (Extended menu)

☛ Extended > Reset

You can reset all adjustment values on the **Extended** menu to their default settings, except for the following:

- Projection
- High Altitude Mode

Settings on the **Network** menu let you view network information and set up the projector for controlling over a network.



If no password has been set, a screen prompting you to set a password is displayed. Follow the on-screen instructions to set the password.

▶ Related Links

- "Net. Info. - Wired LAN" [p.80](#)
- "Display the QR Code" [p.80](#)
- "Projector Name" [p.80](#)
- "PJLink Password" [p.80](#)
- "Remote Password" [p.80](#)
- "Web Control Password" [p.81](#)
- "Monitor Password" [p.81](#)
- "Moderator Password" [p.81](#)
- "Projector Keyword" [p.81](#)
- "Display Keyword" [p.81](#)
- "Display LAN Info." [p.81](#)
- "IP Settings" [p.82](#)
- "IP Address Display" [p.82](#)
- "IPv6 Settings" [p.82](#)
- "Secure HTTP" [p.82](#)
- "Web Server Certificate" [p.82](#)
- "Web API Settings" [p.83](#)
- "Basic Control" [p.83](#)
- "PJLink" [p.83](#)
- "PJLink Notification" [p.83](#)
- "Notified IP Address" [p.83](#)
- "AMX Device Discovery" [p.83](#)
- "Crestron Connected" [p.84](#)
- "Crestron XiO Cloud" [p.84](#)
- "Control4 SDDP" [p.84](#)
- "Reset (Network menu)" [p.84](#)

Net. Info. - Wired LAN

☛ Network > Net. Info. - Wired LAN

You can view wired network status and details.

Display the QR Code

☛ Network > Display the QR Code

You can view a QR code for connecting with iOS or Android devices using the Epson iProjection app.

Projector Name

☛ Network > Network Configuration > Basic > Projector Name

This is useful to identify the projector over the network.

Enter a name up to 16 alphanumeric characters long. (Do not use " * + , / ; < = > ? [\] ' | spaces.)

PJLink Password

☛ Network > Network Configuration > Basic > PJLink Password

This is useful for projector control using the PJLink protocol.

Enter a password up to 32 alphanumeric characters long. (Do not use spaces and any symbols other than @.)

Remote Password

☛ Network > Network Configuration > Basic > Remote Password

This is useful for accessing the projector using the Web Remote.

- User name: EPSONREMOTE
- Password: No password is set by default.

Enter a password up to 32 alphanumeric characters long. (Do not use * : spaces.)



- Setting is only displayed when **Content Playback** is set to **Off**.
- Available when **Basic Control** is set to **On**.

Web Control Password

☛ **Network > Network Configuration > Basic > Web Control Password**

This is useful for accessing the projector over the Web.

- User name: EPSONWEB
- Password: No password is set by default.

Enter a password up to 32 alphanumeric characters long. (Do not use * : spaces.)

Monitor Password

☛ **Network > Network Configuration > Basic > Monitor Password**

This is useful for monitoring projectors with a switcher and a system controller. (No password is set by default.)

Enter up to 16 alphanumeric characters (do not use spaces and any symbols other than @).

Moderator Password

☛ **Network > Network Configuration > Basic > Moderator Password**

This is useful for accessing the projector as a moderator using Epson iProjection. (No password is set by default.)

Enter a four-digit number password.

Projector Keyword

☛ **Network > Network Configuration > Basic > Projector Keyword**

You can turn on a security password to prevent access to the projector by anyone not in the room with it.

You must enter a displayed, randomized keyword from a computer using Epson iProjection to access the projector and share the current screen.

Display Keyword

☛ **Network > Network Configuration > Basic > Display Keyword**

You can select whether to display a projector keyword on the projected image when accessing the projector using Epson iProjection.



Available when **Projector Keyword** is set to **On**.

Display LAN Info.

☛ **Network > Network Configuration > Basic > Display LAN Info.**

You can select the display format for the projector's network information.

By simply reading the QR code with Epson iProjection, you can connect the mobile device to the projector through a network. The default value is **Text & QR Code**.

IP Settings

☛ Network > Network Configuration > Wired LAN > IP Settings

Set DHCP to **On** if your network assigns addresses automatically.

Set to **Off** to manually enter the network's **IP Address**, **Subnet Mask**, and **Gateway Address** using 0 to 255 for each address field.

Do not use these addresses:

- for the IP Address: 0.0.0.0, 127.x.x.x, 192.0.2.x, or 224.0.0.0 through 255.255.255.255
- for the Subnet Mask: 255.255.255.255 or 0.0.0.0 through 254.255.255.255
- for the Gateway Address: 0.0.0.0, 127.x.x.x, or 224.0.0.0 through 255.255.255.255

(where x is a number from 0 to 255)

IP Address Display

☛ Network > Network Configuration > Wired LAN > IP Address Display

You can select whether to display the IP address on the network standby screen.

IPv6 Settings

☛ Network > Network Configuration > Wired LAN > IPv6 Settings

You can select IPv6 settings when you connect the projector to the network using IPv6.

IPv6

Set to **On** to connect the projector to the network using IPv6.

One local link address is always set while using IPv6. This is composed of the interface ID created from fe80:: and the projector's MAC address.

IPv6 is supported to monitor and control the projector over a network using Epson Web Control and PjLink.

Auto Configuration

Set to **On** to assign addresses automatically according to the Router Advertisement.

The address is composed as shown below.

Stateless Address (0 to 6)

Created automatically by combining the prefix acquired from the RA (Router Advertisement) and the interface ID created from the projector's MAC address.

Stateful Address (0 to 1)

Created automatically from the DHCP server using DHCPv6.

Use Temporary Address

Set to **On** if you want to use a temporary IPv6 address.



You can set the IPv6 address manually in the **Advanced** menu in Epson Web Control.

Secure HTTP

☛ Network > Network Configuration > Others > Secure HTTP

To strengthen security, communication between the projector and computer in Web control is encrypted. When setting security with Web control, it is recommended to set this to **On**.

Web Server Certificate

☛ Network > Network Configuration > Others > Web Server Certificate

Imports the Web server certificate for secure HTTP.

Web API Settings

☛ Network > Network Configuration > Others > Web API Settings

You can select the Web API settings when using Web API communications.

Web API

Set to **On** to enable the Web API function.

You must set a **Web Control Password** when using Web API communications for the first time.

Authentication

You can set the security for your projector to use during Web API communications.

Open

Security is not set.

Digest

Communication is performed using API authentication (Digest authentication).



See the *Web API Specifications for Projectors* for details.

Basic Control

☛ Network > Network Configuration > Others > Basic Control

Set to **On** to control the projector remotely by using Basic Control.

You must set a Remote Password the first time you turn on this setting.



Setting is only displayed when **Content Playback** is set to **Off**.

PJLink

☛ Network > Network Configuration > Others > PJLink

Set to **On** to monitor the projector using PJLink.

You must set the **PJLink Password** when using the PJLink function for the first time.

PJLink Notification

☛ Network > Network Configuration > Others > PJLink Notification

Set to **On** to enable the PJLink notification function when the PJLink setting is enabled.

Notified IP Address

☛ Network > Network Configuration > Others > Notified IP Address

Enter the IP address to receive the projector's operating status when the PJLink notification function is enabled. Enter the addresses using 0 to 255 for each address field.

Do not use these addresses: 127.x.x.x or 224.0.0.0 through 255.255.255.255 (where x is a number from 0 to 255).

AMX Device Discovery

☛ Network > Network Configuration > Others > AMX Device Discovery

Set to **On** when you want to allow the projector to be detected by AMX Device Discovery.

Crestron Connected

☛ Network > Network Configuration > Others > Crestron Connected

Crestron Connected

Set to **On** only when monitoring or controlling the projector over the network using Crestron Connected.

If no password has been set, a screen prompting you to set a password is displayed before you can set **Crestron Connected** to **On**.

Password

This is useful for accessing the projector over the Web. (No password is set by default.)

Enter a password up to 32 alphanumeric characters long. (Do not use * : spaces.)

Restart the projector to enable your changes.

Crestron XiO Cloud

☛ Network > Network Configuration > Others > Crestron Xio Cloud

Set to **On** to monitor or control your projector and other devices over the network using the Crestron Xio Cloud service.

Control4 SDDP

☛ Network > Network Configuration > Others > Control4 SDDP

Set to **On** to allow device information to be acquired using Control4 Simple Device Discovery Protocol (SDDP).

Reset (Network menu)

☛ Network > Network Configuration > Reset

You can reset all adjustment values on the **Network** menu to their default settings.

Attention

All of the passwords that have been set for the **Network** menu are also reset and you need to set them again.

You can display information about the projector and version by viewing the **Info** menu. However, you cannot change any settings in the menu.

▶▶ **Related Links**

- "Projector Info" [p.85](#)
- "Light Source Info" [p.86](#)
- "Version" [p.86](#)
- "Status Information" [p.86](#)
- "Voltage Warning Info" [p.86](#)
- "Power On/Off History" [p.86](#)
- "Firmware Update" [p.86](#)
- "Export Batch Settings" [p.87](#)
- "Import Batch Settings" [p.87](#)

Projector Info

☛ **Info > Projector Info**

You can view the projector's information.

Operation Hours

Displays the number of hours the projector has been used since it was turned on.

The cumulative use time is displayed as "0H" for the first 10 hours. When exceeding 10 hours, it is displayed as "10H" and "11H" in 1 hour units.

Source

Displays the name of the port to which the current input source is connected.

Input Signal

Displays the input signal setting of the current input source.

Resolution

Displays the resolution of the current input source.

Refresh Rate

Displays the refresh rate of the current input source.

Sync Info

Displays information about video signals that may be needed by a service technician.

Color Format

Displays the color format of the current input source.

Status

Displays information about projector problems that may be needed by a service technician.

Serial Number

Displays the projector's serial number.

Lens Type

Displays the model number of the installed lens.

Event ID

Displays the Event ID number corresponding to a network problem; see the list of Event ID codes.

▶▶ **Related Links**

- "Event ID Code List" [p.85](#)

Event ID Code List

If the **Event ID** option on the **Projector Info** menu displays a code number, check this list of Event ID codes for the solution to the projector problem associated with the code.

If you cannot resolve the problem, contact your network administrator or Epson for technical support.

| Event ID code | Cause and solution |
|---------------|---|
| 0432 | The network software did not start. Turn the projector off and then on again. |
| 0435 | |
| 0433 | Cannot display the transferred images. Restart the network software. |

| Event ID code | Cause and solution |
|------------------------------|--|
| 0434 0481 0482 0485 | Unstable network communication. Check the network communication status, wait a few moments, and try connecting to the network again. |
| 0483 04FE | The network software quit unexpectedly. Check the network communication status, then turn the projector off and then on again. |
| 0484 | Communication with computer was disconnected. Restart the network software. |
| 0479 04FF | A projector system error has occurred. Turn the projector off and then on again. |

Each category contains the following information.

Status Information

The projector's operating status.

Source

Input signal information.

Signal Information

Input digital signal information.

Network Wired

Wired LAN settings.

Maintenance

Operating time for the projector and light source.

Version

The projector's firmware version

Light Source Info

☛ Info > Light Source Info

You can view the projector's light source information.

Light Source Hours

Displays the number of operating hours.

Version

☛ Info > Version

You can view the projector's firmware information.

Status Information

☛ Info > Status Information

You can view the projector's basic status information.

Voltage Warning Info

☛ Info > Voltage Warning Info

You can view various voltage warnings.

When you select **Detail** when a Warning or Error is displayed, you can check detailed logs for before and after the error was detected.

Power On/Off History

☛ Info > Power On/Off History

You can view the power on/off logs.

Firmware Update

☛ Info > Firmware Update

Performs a firmware update of the projector.

Follow the on-screen instructions to use one of the following methods to update the firmware.

- Connecting an empty USB flash drive directly to the projector's USB-A port
- Connecting a USB cable to the computer's USB port and to the projector's Service port

Export Batch Settings

☛ Info > Export Batch Settings

You can export the projector's menu settings to a USB flash drive or a computer, allowing you to copy them to other projectors of the same model.

Import Batch Settings

☛ Info > Import Batch Settings

You can import the menu settings saved to a USB flash drive or a computer.

Settings on the **Reset** menu let you reset certain projector settings to their default values.

▶ Related Links

- "Reset All Memories" [p.88](#)
- "Refresh Mode" [p.88](#)
- "Light Source Calibration" [p.88](#)
- "Reset All Config" [p.88](#)

Reset All Memories

☛ Reset > Reset All Memories

You can delete all memories saved in **Memory**, **Lens Position**, and **Geometry Correction**.

Refresh Mode

☛ Reset > Refresh Mode

The refresh mode process clears any projected afterimage and turns off the projector after a specified period of time.

Timer

Set a time period during which the projector displays the refresh image.

Messages

Set to **On** to display a message informing you that the projector is in refresh mode.

Start

Starts the refresh mode process to clear any projected afterimage and turn off the projector after a specified period of time. Press any button on the remote control to cancel this process.

Light Source Calibration

☛ Reset > Light Source Calibration

The light source calibration process optimizes the color balance of the currently projected image.

Run Now

Starts light source calibration to optimize the color balance of the currently projected image. You may not be able to start calibration if the projector's environmental temperature is out of range. (Wait 20 minutes after turning on the projector before starting calibration for the best results.)

Light Source Calibration does not start in the following cases.

- If the projector is not used continuously for more than 20 minutes.
- If the surrounding temperature gets too high, and the brightness has been automatically dimmed.
- If you use the following functions and the brightness of the light source declines to a specific level or lower.
 - Dynamic Contrast
 - Lights-Out Control
 - A/V Mute
- If **Light Output** is set to 30% or less.

Run Periodically

Set to **On** to perform light source calibration periodically every 100 hours of usage.

Last Run

Displays the date and time of the last light source calibration.

Reset All Config

☛ Reset > Reset All Config

You can reset most of the projector settings to their default values.

You cannot reset the following settings:

- Memory
- Panel Alignment
- Color Uniformity
- User's Logo
- Date & Time
- Color Matching
- Language
- Network menu items

Monitoring and Controlling the Projector

Check these sections to monitor and control the projector over a network.

▶ **Related Links**

- "Projector Monitoring and Control Options" [p.91](#)
- "Accessing a Networked Projector Using a Web Browser" [p.93](#)

You can monitor and control the projector over a network in various way.

► Related Links

- "Epson Web Control" [p.91](#)
- "ESC/VP21 Commands" [p.91](#)
- "ESC/VP.net Commands" [p.91](#)
- "PJLink" [p.91](#)
- "Crestron Connected Support" [p.92](#)
- "Web API" [p.92](#)

Epson Web Control

Once you have connected your projector to your network, you can select projector settings and control projection using a compatible Web browser. This lets you access the projector remotely.

In Content Playback mode, you can also edit playlists.



- You can use the following Web browsers.
 - Microsoft Edge (Windows)
 - Safari (Mac, iOS)
 - Chrome (Android)
- While using the Web browser, do not connect using a proxy server. You cannot select all of the projector menu settings or control all projector functions using a Web browser.
- If you set **Standby Mode** to **Communication On**, you can use a Web browser to select settings and control projection even if the projector is in standby mode.
 - ☛ **Extended > Standby Mode**

► Related Links

- "Accessing a Networked Projector Using a Web Browser" [p.93](#)

ESC/VP21 Commands

You can control the projector from an external device using ESC/VP21.

When the power ON command is transmitted to the projector, the power turns on and it enters warm-up mode. When the projector's power has turned on, a colon ":" (3Ah) is returned.

When a command is input, the projector executes the command and returns a ":", and then accepts the next command.

If the command being processed terminates abnormally, an error message is output and a ":" is returned.

See the projector's *Specifications* for details.



You can also execute some of the ESC/VP21 commands by Web API. See the *Web API Specifications for Projectors* for details.

ESC/VP.net Commands

You can monitor the projector using ESC/VP.net commands.

You must set the **Monitor Password** before using the ESC/VP.net Commands.

See the projector's *Specifications* for details.

PJLink

PJLink was established by the JBMIA (Japan Business Machine and Information System Industries Association) as a standard protocol for controlling network-compatible projector's as part of their efforts to standardize projector control protocols.

The projector complies with the PJLink Class2 standard established by the JBMIA.

The port number used for the PJLink search function is 4352 (UDP).

You need to make network settings before you can use PJLink.

- ☛ **Network > Network Configuration > Basic > PJLink Password**
- ☛ **Network > Network Configuration > Others > PJLink Notification**
- ☛ **Network > Network Configuration > Others > PJLink**

It complies with all commands except for the following commands defined by PJLink Class2, and agreement was confirmed by the PJLink standard adaptability verification.

Non-compatible commands:

| Function | | PJLink command |
|---------------|------------------|----------------|
| Mute settings | Image muting set | AVMT 11 |
| | Audio muting set | AVMT 21 |

<http://pjlink.jbmia.or.jp/english/>

See the projector's *Specifications* for details.

Crestron Connected Support

If you are using the Crestron Connected network monitoring and control system, you can set up your projector for use on the system. Crestron Connected lets you control and monitor your projector using a Web browser.

You can access the Crestron Connected operation window from Epson Web Control. You need to enable Crestron Connected in the projector's **Network** menu before you can use Crestron Connected.

- ☛ **Network > Network Configuration > Others > Crestron Connected**

For additional information on Crestron Connected, visit the Crestron Web site.

<https://www.crestron.com/>

To monitor devices in the system, you can use Crestron RoomView Express or Crestron Fusion provided by Crestron. You can communicate with the help desk and send emergency messages. See the following Web site for details.

<http://www.crestron.com/getroomview>

Web API

You can use Web API to operate the projector. See the *Web API Specifications for Projectors* for details.



- You can authenticate Web API communications using API authentication (Digest authentication).
- The user name for API authentication is **EPSONWEB**; use the password that is set for **Web Control Password**.
 - ☛ **Network > Network Configuration > Basic > Web Control Password**

Once you have connected your projector to your network, you can select projector settings and control projection using a compatible Web browser. This lets you access the projector remotely.

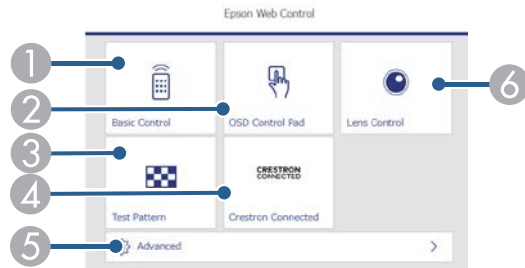


You can also control the projector using the web browser from "Epson iProjection (iOS/Android)".

- 1 Make sure the projector is turned on.
- 2 Make sure your computer or device is connected to the same network as the projector.
- 3 Start your Web browser on the computer or device.
- 4 Go to the **Epson Web Control** screen by entering the projector's IP address into the browser's address box. When entering an IPv6 address, wrap the address with [and].

You see the **Epson Web Control** screen.

- In normal mode



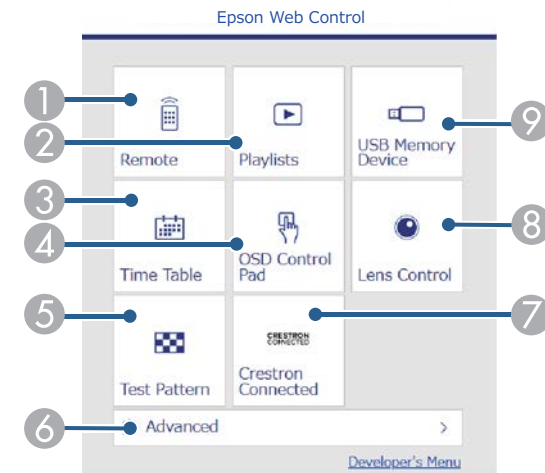
- 1 Controls the projector remotely.
- 2 Operates the projector's menu settings with your finger or mouse.
- 3 Displays a test pattern.

- 4 Opens the Crestron Connected operation window. Available only when you set the Crestron Connected system.
- 5 Opens detailed projector settings.
- 6 Operates the projector's lens.



You can also check the projector's log files by entering "https://<projector's IP address>/logs/" into your browser's URL bar when you set **Log Save Destination** to **USB and Internal Memory** in the projector's **Extended** menu.

- In Content Playback mode



- 1 Controls the projector remotely.
- 2 Selects the playlist you want to play, and allows you to create or edit playlists.
- 3 Opens the **Time Table** screen.
- 4 Operates the projector's menu settings with your finger or mouse.
- 5 Displays a test pattern.
- 6 Opens detailed projector settings.

- 7 Opens the Crestron Connected operation window. Available only when you set the Crestron Connected system.
- 8 Operates the projector's lens.
- 9 Registers or deletes the data for a playlist on the USB flash drive.

5 Select the option corresponding to the projector function you want to control.



- You may need to log in to access some of the options on the **Epson Web Control** screen. If you see a log in window, enter your user name and password.
- When accessing the **Basic Control** option, the user name is **EPSONREMOTE**. No password is set by default.
- When accessing other options, the user name is **EPSONWEB**. No password is set by default.
- You can change the password in the projector's **Network** menu.
 - ☛ **Network > Network Configuration > Basic > Remote Password**
 - ☛ **Network > Network Configuration > Basic > Web Control Password**

► Related Links

- "Web Control Options" [p.94](#)

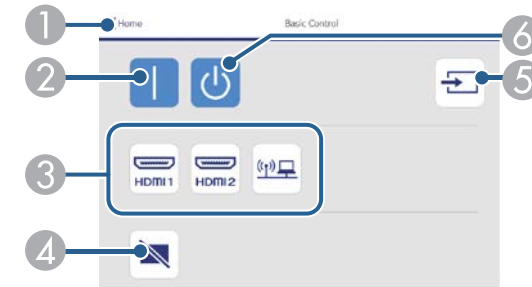
Web Control Options

Basic Control (only in normal mode)

Options on the **Basic Control** screen allow you to select the input source and control the projector.



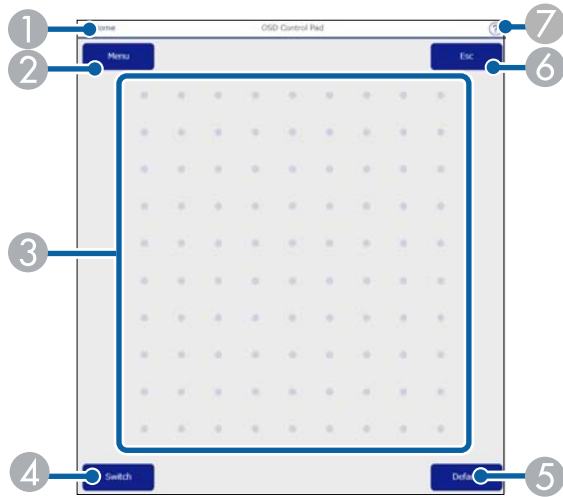
- If you see a log in window, enter your user name and password. (The user name is **EPSONREMOTE**. No password is set by default.)
- You can change the password in the projector's **Network** menu.
 - ☛ **Network > Network Configuration > Basic > Remote Password**



- 1 Returns to the **Epson Web Control** screen.
- 2 Turns the projector on.
- 3 Selects the input source. (The available sources vary depending on your projector model.)
- 4 Turns the video and audio on or off temporarily.
- 5 Detects the input signal automatically.
- 6 Turns the projector off.

OSD Control Pad

Options on the **OSD Control Pad** screen allow you to display the projector's setting menus and select them moving your finger or mouse on the pad.

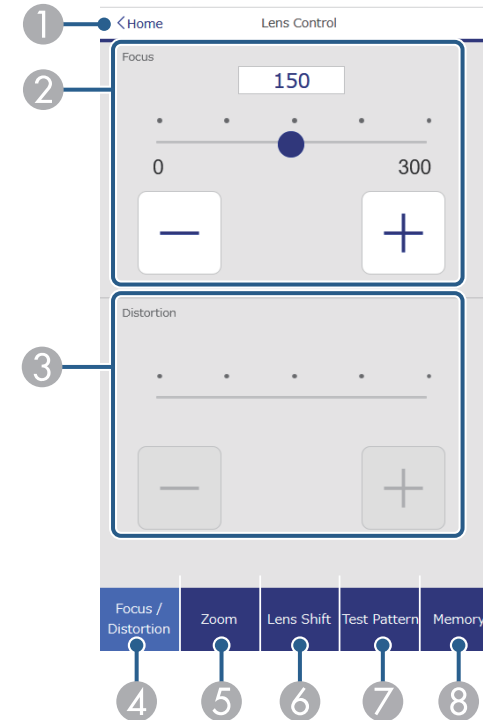


- 1 Returns to the **Epson Web Control** screen.
- 2 Displays the projector's setting menus.
- 3 Use your finger or mouse to navigate the menus.
- 4 Switches the operation method to button operation.
- 5 Resets the selected setting to its default value.
- 6 Returns to the previous menu.
- 7 Displays help topics.

Lens Control

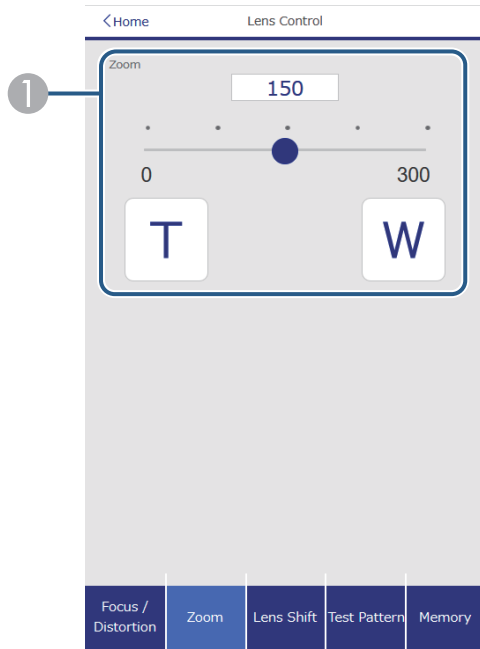
Options on the **Lens Control** screen allow you to operate the lens of the projector.

Focus/Distortion screen



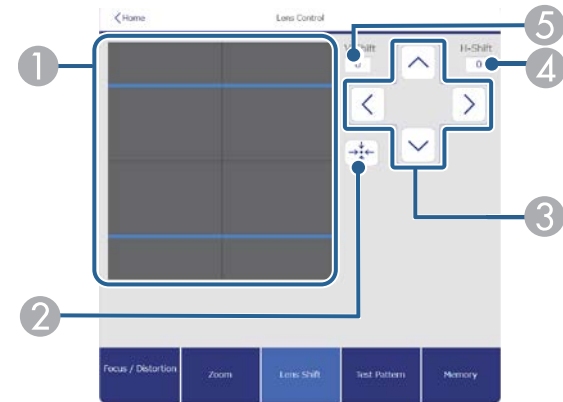
- 1 Returns to the **Epson Web Control** screen.
- 2 Adjusts the image focus.
- 3 Adjusts the image distortion.
- 4 Displays the **Focus/Distortion** screen.
- 5 Displays the **Zoom** screen.
- 6 Displays the **Lens Shift** screen.
- 7 Displays the **Test Pattern** screen.
- 8 Displays the **Memory** screen.

Zoom screen



- 1 Adjusts the image size.
- W: Enlarges the size of the projected image.
- T: Reduces the size of the projected image.

Lens Shift screen



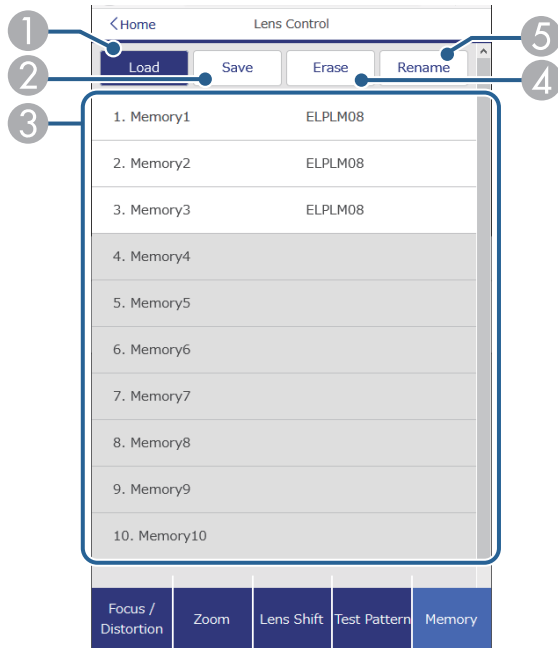
- 1 The blue square displays the current image position and the red square displays the new image position.
- 2 Moves the lens to the home position.
- 3 Moves the image position up, down, left, or right.
- 4 Displays the horizontal image position; select to change the value.
- 5 Displays the vertical image position; select to change the value.

Test Pattern screen



- 1 Displays available test patterns; select to project a test pattern.
- 2 Turns off test pattern display.

Memory screen



- 1 Overwrites your current settings with saved settings.
- 2 Saves your current settings to memory.
- 3 Displays a list of saved memories.
- 4 Erases a saved memory.
- 5 Renames a saved memory.

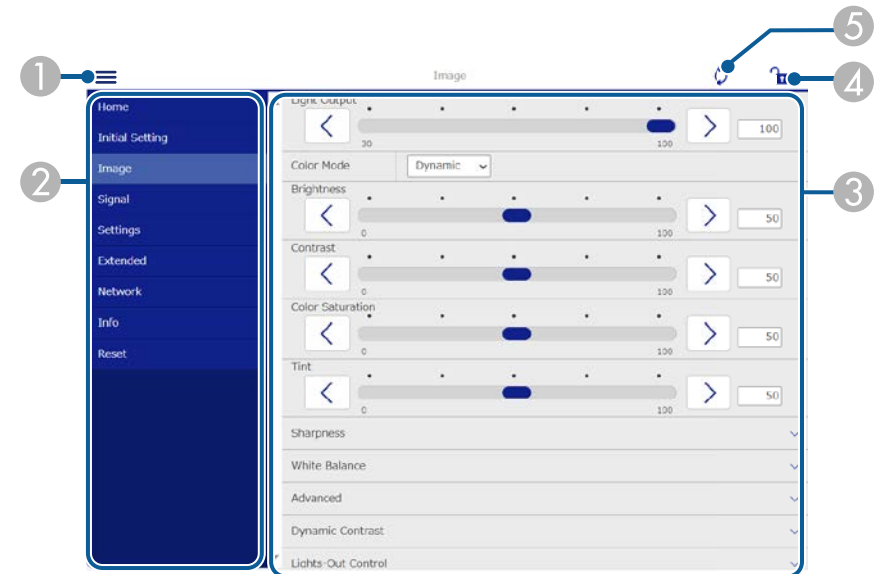
Advanced

The Advanced screen allow you to select the projector's settings.



If no Web Control Password has been set, a screen prompting you to set a password is displayed before you can view the Advanced screen. Follow the on-screen instructions to set the password.

We strongly recommend changing your password regularly to prevent any unauthorized access to your projector.



- 1 Opens the menus.
- 2 Displays the menu name you selected.
- 3 Specifies the projector settings. (The available settings vary depending on your projector model.)
- 4 Locks/unlocks the projector settings.
- 5 Updates the projector settings.



You cannot change the following settings using Epson Web Control.

- Custom setting for Gamma
- EDID
- HDMI Link
- User Button
- Content Playback
- Message Position
- User's Logo
- Lens Calibration
- Language
- Event ID



You can select the following settings only with Epson Web Control.

- Display Logs

Remote (only in Content Playback mode)

Options on the **Remote** screen allow you to select the input source, control the projector, and start projecting playlists.



- 1 Returns to the **Epson Web Control** screen.
- 2 Turns the projector on or off.
- 3 Selects the input source. (The available sources vary depending on your projector model.)
- 4 Turns the video and audio on or off temporarily.
- 5 **Overlay Effect** option is displayed when the current source is anything other than USB.
Turns **Overlay Effect** on or off to add color and shape effects to a playlist.
When turning on, the **Effects** screen is displayed. You can add predefined color and shape effect filters to a playlist. You can also create a customized effect.
- 6 Specifies the screen settings.
- 7 Displays your favorite playlists. Select a playlist to start projecting.

- 8 Displays information for the playlist being projected.

The icons indicate the playlist settings.

: Overlay effects have been applied

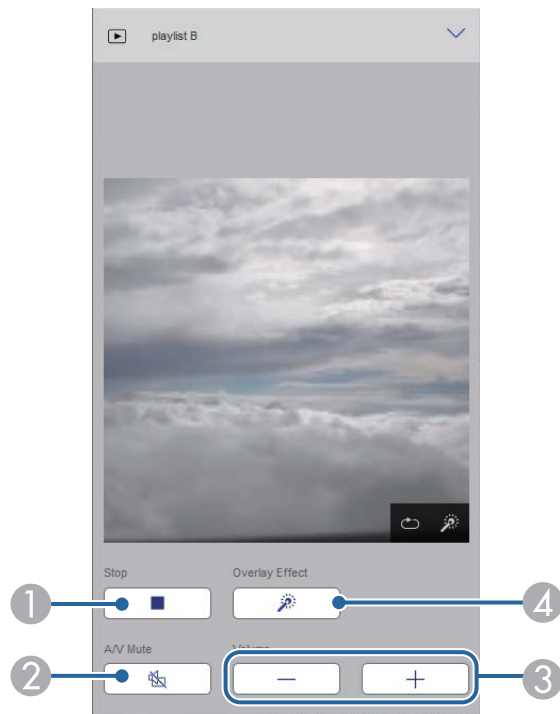
: Repeat playback has been applied

: Length of the playlist

Select the arrow at the bottom-right to display the following screen.

- 9 Adjusts the speaker volume.

Screen displayed while projecting playlist (only in Content Playback mode)

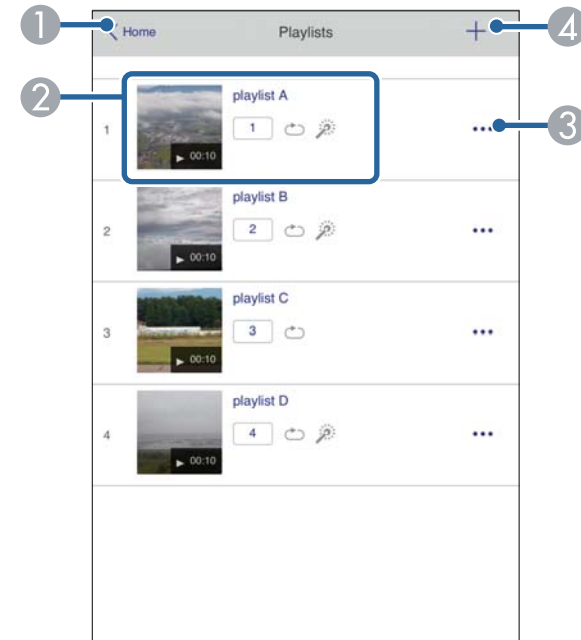


- 1 Stops projection.

- 2 Turns the video and audio on or off temporarily. However, the audio and video continue to run so you cannot resume projection at the point you activated this function.
- 3 Adjusts the speaker volume.
- 4 Opens the **Effects** screen. You can select preset effects or select individual brightness, color, and shape effect filters.

Playlist (only in Content Playback mode)

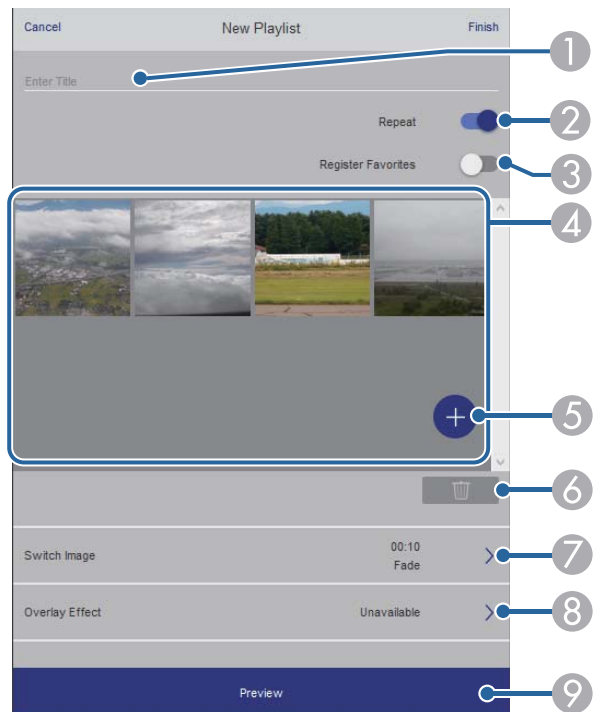
Options on the **Playlist** screen allow you to select the playlist you want to play from the list, and create or edit playlists.



- 1 Returns to the Epson Web Control screen.

- ② Starts projecting the playlist.
The icons indicate the playlist settings.
 - ① : Number assigned to your favorite playlists
 - 🔄 : Repeat playback has been applied
 - 🌟 : Overlay effects have been applied
- ③ Opens the menu that allows you to edit, copy, register to your favorites, or delete the playlist.
When you select **Edit** or **Duplicate**, the **Edit Playlist** screen is displayed.
- ④ Opens the **New Playlist** screen where you can create a new playlist.

New Playlist/Edit Playlist screen (only in Content Playback mode)



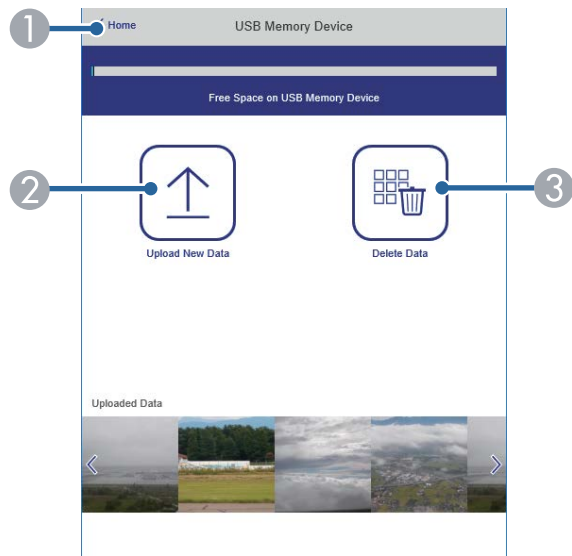
- ① Edits the playlist name.
- ② Selects whether to enable repeat playback or not.
- ③ Registers the playlist as favorites.
When registering favorites, you can quickly start playback of the favorite playlist using the **Remote** screen or the remote control.
- ④ Displays the images or movies you have added to the playlist. The playlist plays the images or movies in order.
- ⑤ Adds images or movies to the playlist.
- ⑥ Deletes images or movies from the list.
- ⑦ Opens the **Switch Image** screen.
You can specify the time interval to switch to the next image file. You can also select a transition effect.
- ⑧ Opens the **Effects** screen.
You can add predefined color and shape effect filters to a playlist. You can also create a customized effect.
- ⑨ Previews the playlist.

USB Memory Device (only in Content Playback mode)

Options on the **USB Memory Device** screen allow you to upload data for a playlist to the USB flash drive or delete the data on the USB flash drive.



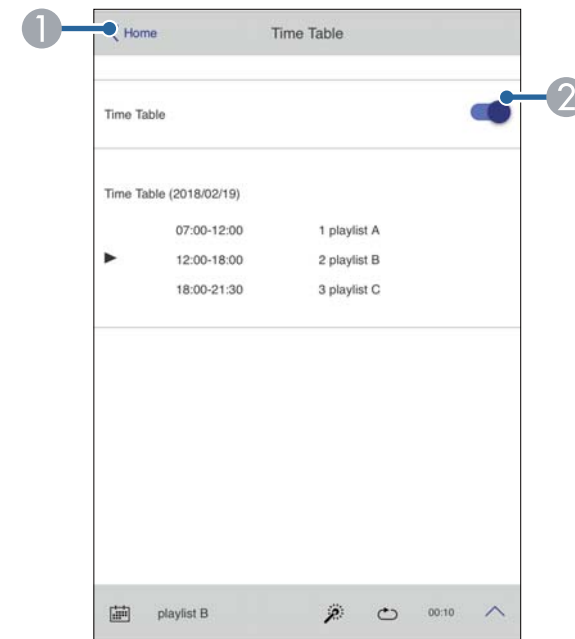
You can upload .avi, .jpeg (.jpg), .png, .bmp, or .gif files.
If you want to add the .mp4 and .mov files to the playlist, use the Epson Projector Content Manager software or the Epson Creative Projection app.



- 1 Returns to the **Epson Web Control** screen.
- 2 Copies images or movies you want to add to playlists to a USB flash drive.
- 3 Deletes images or movies on the USB flash drive.

Time Table (only in Content Playback mode)

Options on the **Time Table** screen allow you to enable or disable the specified time table features.



- 1 Returns to the **Epson Web Control** screen.
- 2 Turns the time table on or off.



You can specify when each playlist starts and finishes using the time table feature in the Epson Projector Content Manager software.

For details, see the *Epson Projector Content Manager Operation Guide*.

Maintaining the Projector

Follow the instructions in these sections to maintain your projector.

► Related Links

- "Projector Maintenance" [p.103](#)
- "Cleaning the Lens" [p.104](#)
- "Cleaning the Projector Case" [p.105](#)
- "Air Filter and Vent Maintenance" [p.106](#)
- "Updating the Firmware" [p.112](#)

You may need to clean the projector's lens periodically, and clean the air filter and air vents to prevent the projector from overheating due to blocked ventilation.

You can replace the following parts for this projector:

- Batteries for the remote control
- Lens unit
- Air filter

If any other part needs replacing, contact Epson or an authorized Epson servicer.

Warning

Before cleaning any part of the projector, turn it off and unplug the power cord. Never open any cover on the projector, except as specifically explained in this manual. Dangerous electrical voltages in the projector can injure you severely.

Clean the projector's lens periodically, or whenever you notice dust or smudges on the surface.

- To remove dust or smudges, gently wipe the lens with clean and dry lens-cleaning paper.
- If the lens is dusty, blow off dust using a blower, and then wipe the lens.

Warning

- Before cleaning the lens, turn off the projector and unplug the power cord.
- Do not use any flammable gas sprays such as air dusters to blow off dust. The high heat generated by the projector may cause a fire.

Attention

- Do not wipe the lens right after you turn off the projector. Doing so could damage the lens.
- Do not use any harsh materials to clean the lens and do not subject the lens to any impacts; otherwise, it could be damaged.

Before cleaning the projector case, turn off the projector and unplug the power cord.

- To remove dust or dirt, use a soft, dry, lint-free cloth.
- To remove stubborn dirt, use a soft cloth moistened with water and mild soap. Do not spray liquid directly on the projector.

Attention

Do not use wax, alcohol, benzene, paint thinner, or other chemicals to clean the projector case. These can damage the case. Do not use canned air, or the gases may leave a flammable residue.

Regular filter maintenance is important to maintain your projector. Clean the air filter when a message appears telling you the temperature inside the projector has reached a high level. It is recommended that you clean these parts over a 20,000-hour period. Clean them more often than this if you use the projector in an environment that is dustier than expected. (Assuming the projector is used in an atmosphere in which airborne particulate matter is 0.04 mg/m³ or less.)

Attention

If regular maintenance is not performed, your Epson projector will notify you when the temperature inside the projector has reached a high level. Do not wait until this warning appears to maintain your projector filter as prolonged exposure to high temperatures may reduce the life of your projector.

► Related Links

- "Cleaning the Air Filters and Intake Vents" [p.106](#)
- "Replacing the Air Filter" [p.109](#)

Cleaning the Air Filters and Intake Vents

You need to clean the projector's air filters in the following situations:

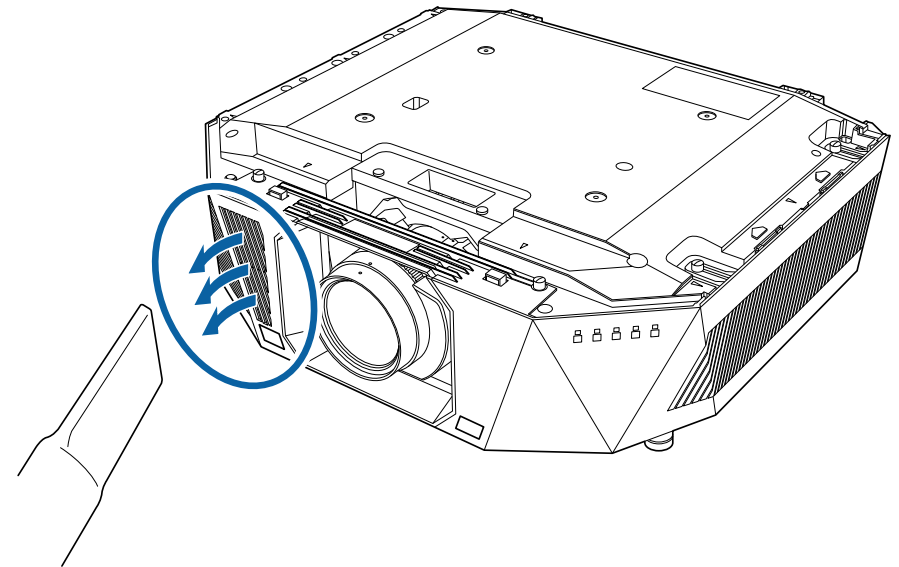
- The filter or vents get dusty.
- You see a message telling you to clean it.
- The projector's Filter indicator flashes orange.

1 Turn off the projector and unplug the power cord.

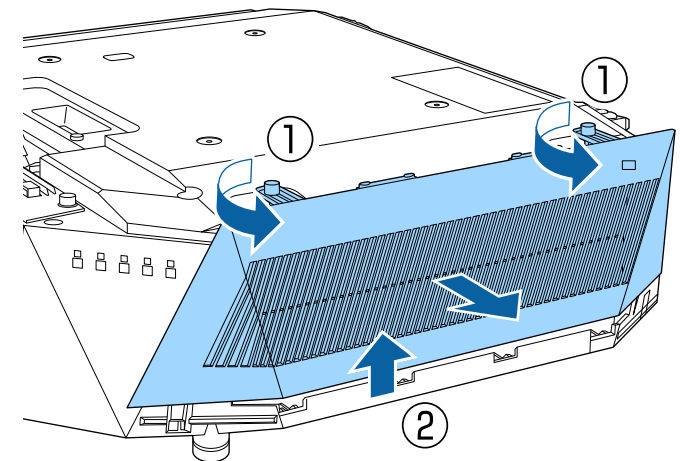


Make sure that the vanity board has been removed from the projector in advance.

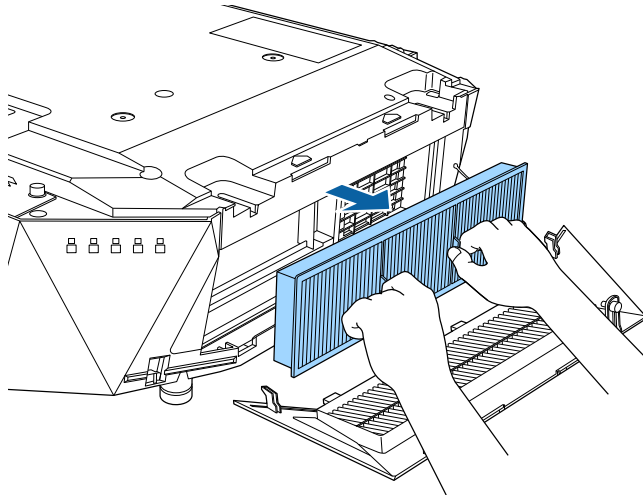
2 Carefully remove the dust using a vacuum cleaner or a brush.



3 Loosen the screws and remove the air filter cover as shown (it is attached with a tether).

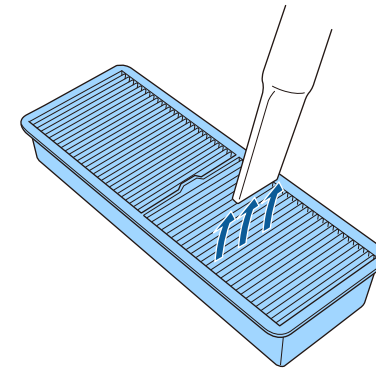


4 Pull the air filter out of the projector.

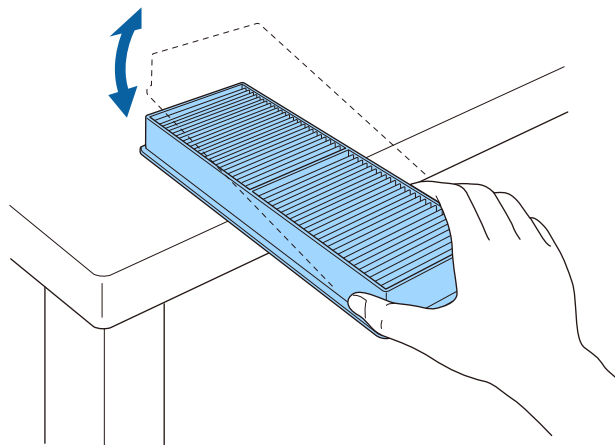


Attention
Do not use excessive force when tapping the air filter, or it may crack and become unusable.

6 Vacuum the front of the air filter (the side with the tabs) to remove any remaining dust.



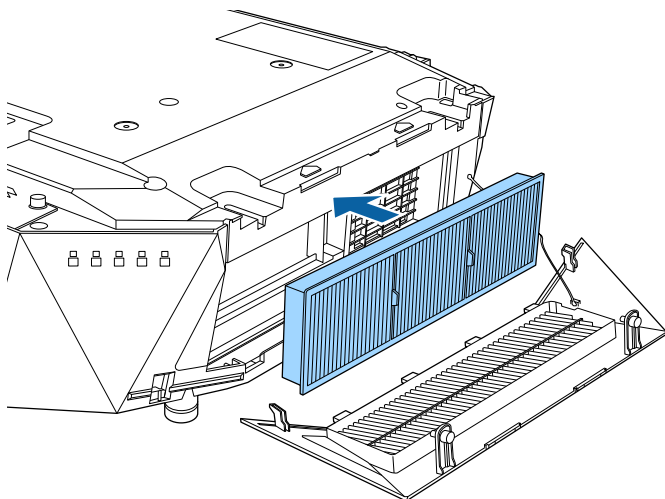
5 Tap each side of the air filter 4 to 5 times to shake off any excess dust.



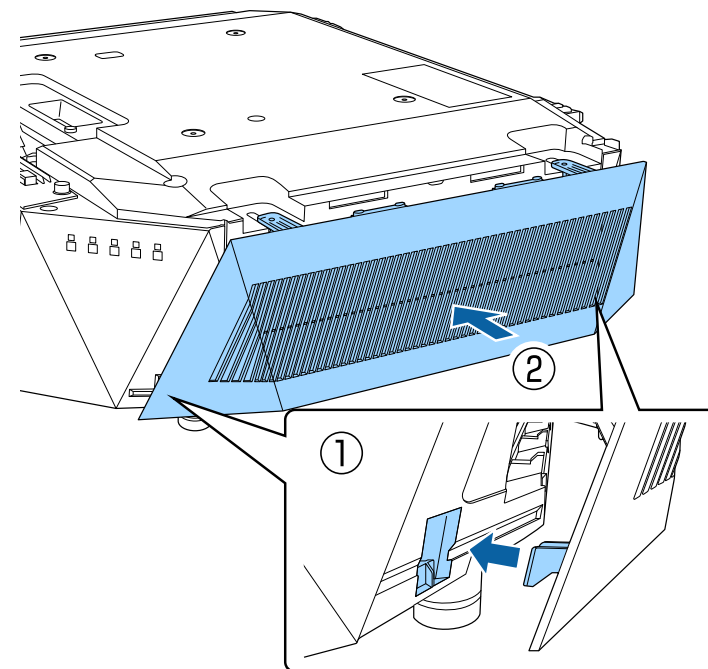
Attention

- Do not rinse the air filter in water, or use any detergent or solvent to clean it.
- Do not use canned air. The gases may leave a flammable residue or push dust and debris into the projector's optics or other sensitive areas.

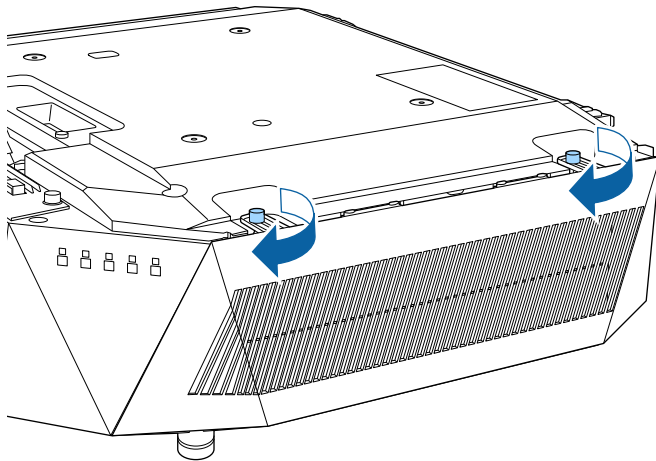
7 Place the air filter in the projector as shown.



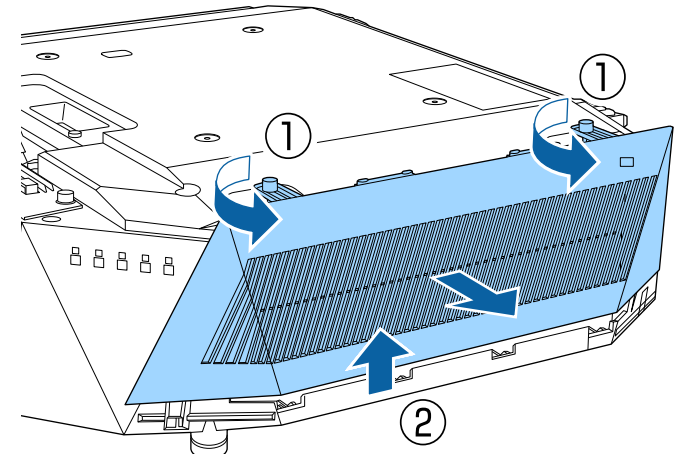
8 Install the air filter cover as shown.



9 Tighten the screws.

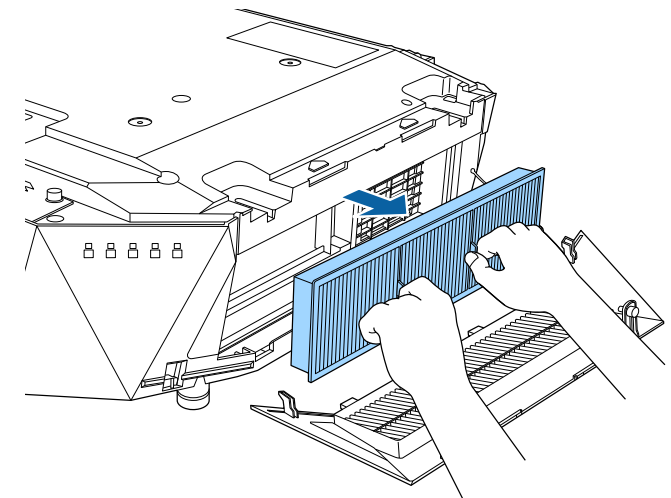


2 Loosen the screws and remove the air filter cover as shown (it is attached with a tether).



After installing the air filter, install the vanity board.

3 Pull the air filter out of the projector.



Replacing the Air Filter

You need to replace the air filter in the following situations:

- After cleaning the air filter, you see a message telling you to clean or replace it.
- The air filter is torn or damaged.

You can replace the air filter while the projector is mounted to the ceiling or placed on a table.

1 Turn off the projector and unplug the power cord.



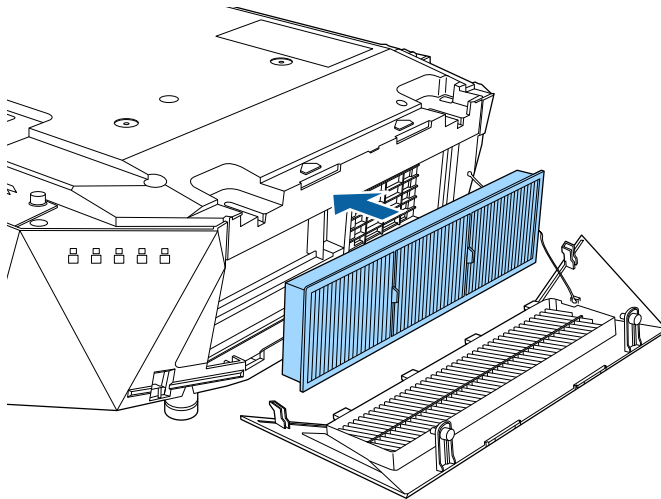
Make sure that the vanity board has been removed from the projector in advance.



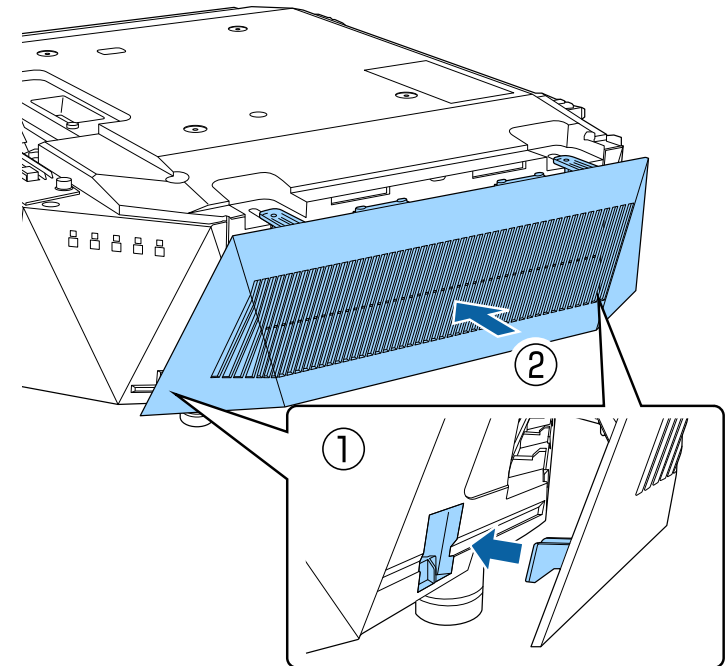
Dispose of used air filters according to local regulations.

- Filter frame: Polypropylene
- Filter: Polypropylene

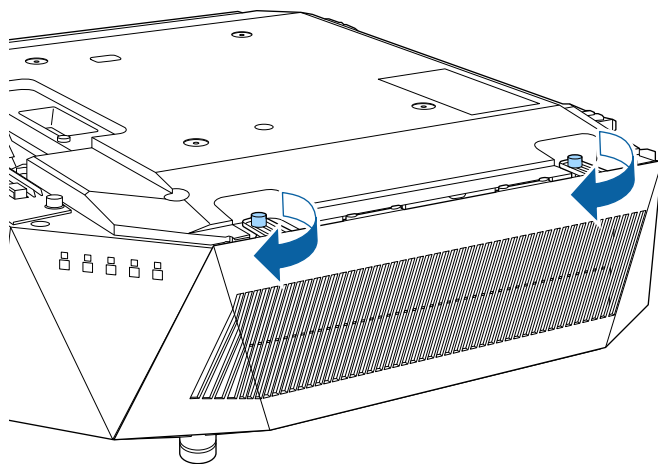
4 Place the new air filter in the projector as shown.



5 Install the air filter cover as shown.



6 Tighten the screws.



After installing the air filter, install the vanity board.

When you select the **Firmware Update** option in the projector's **Information** menu, the projector enters firmware update mode and is ready to perform a firmware update using the USB-A or Service port.

► Related Links

- "Updating Firmware Using a USB Storage Device" [p.112](#)
- "Updating Firmware Using a Computer and USB Cable" [p.113](#)

Updating Firmware Using a USB Storage Device

You can update the projector's firmware using a USB storage device.



Responsibility for updating the firmware lies with the customer. If a firmware update fails due to problems such as a power failure or communication problems, a fee will be charged for any necessary repairs.

- 1** Download the projector firmware file from the Epson Web site.
- 2** Copy the downloaded firmware file to the root folder (highest folder in the hierarchy) of the USB storage device.



- The USB storage device must be formatted in FAT format.
- Do not copy any other files to the USB storage device.
- Do not change the firmware's file name. If the file name is changed, the firmware update will not start.
- Check that the firmware file you copied is the correct file for your projector model. If the firmware file is not correct, the firmware update will not start.

- 3** Connect the USB storage device to the projector's USB-A port.



Connect the USB storage device directly to the projector. If the USB storage device is connected using a USB hub, the firmware update may not be applied correctly.

- 4** Press the [Menu] button, select the **Information** menu, and press [Enter].

- 5** Select **Firmware Update** and press [Enter].

- 6** Select **Yes** to start the firmware update.



- Do not disconnect the power cord from the projector while the firmware is updating. If the power cord is disconnected, the projector may not start correctly.
- Do not disconnect the USB storage device from the projector while the firmware is updating. If the USB storage device is disconnected, the update may not be applied correctly.

All of the projector's indicators start flashing and the firmware update starts. When the update finishes normally, the projector enters standby status (only the power indicator is lit blue). If **Direct Power On** is set to **On** in the projector's **Extended** menu, the projector turns back on again.

When the update finishes, make sure that the **Version** information in the projector's **Information** menu has been updated to the correct firmware version.



When all indicators flash rapidly, the firmware update may have failed. Disconnect the power cord from the projector, and then reconnect it to the projector. If the indicators continue to flash even after reconnecting the power cord, remove the power plug from the electrical outlet and contact Epson.

Updating Firmware Using a Computer and USB Cable

You can update the projector's firmware using a computer and a USB cable.



- Responsibility for updating the firmware lies with the customer. If a firmware update fails due to problems such as a power failure or communication problems, a fee will be charged for any necessary repairs.
- Your computer must be running one of the following operating systems to update the firmware.
 - Windows 8.1 (32- and 64-bit)
 - Windows 10 (32- and 64-bit)
 - Windows 11 (64-bit)
 - macOS 10.13.x (64-bit)
 - macOS 10.14.x (64-bit)
 - macOS 10.15.x (64-bit)

1 Download the projector firmware file from the Epson Web site.



- Do not change the firmware's file name. If the file name is changed, the firmware update will not start.
- Check that the firmware file you copied is the correct file for your projector model. If the firmware file is not correct, the firmware update will not start.

2 Connect the USB cable to the computer's USB port and to the projector's Service port.

3 Press the [Menu] button, select the **Information** menu, and press [Enter].

4 Select **Firmware Update** and press [Enter].

5 Select Yes to start the firmware update.



Do not disconnect the power cord from the projector while the firmware is updating. If the power cord is disconnected, the projector may not start correctly.

All of the projector's indicators turn on and the projector enters firmware update mode. The computer recognizes the projector as a removable disk.

6 On the computer, copy the firmware file to the root folder (highest folder in the hierarchy) of the removable disk.



- Do not copy any other files or folders to the removable disk. Otherwise, the files or folders may be lost.
- The projector turns off automatically if the USB cable or the power cord are disconnected before the firmware file can be copied to the removable disk. If this occurs, perform the procedure again.

7 Perform the steps to safely remove a USB device from the computer and disconnect the USB cable from the projector.

All of the projector's indicators start flashing and the firmware update starts. When the update finishes normally, the projector enters standby status (only the power indicator is lit blue). If **Direct Power On** is set to **On** in the projector's **Extended** menu, the projector turns back on again.

When the update finishes, make sure that the **Version** information in the projector's **Information** menu has been updated to the correct firmware version.



- When all indicators flash rapidly, the firmware update may have failed. Disconnect the power cord from the projector, and then reconnect it to the projector. If the indicators continue to flash even after reconnecting the power cord, remove the power plug from the electrical outlet and contact Epson.
- If no operations are performed for 20 minutes in update mode, the projector turns off automatically. If this occurs, perform the procedure again.

Solving Problems

Check the solutions in these sections if you have any problems using the projector.

► Related Links

- "Projection Problems" [p.116](#)
- "Projector Indicator Status" [p.117](#)
- "Solving Image or Sound Problems" [p.121](#)
- "Solving Projector or Remote Control Operation Problems" [p.125](#)
- "Solutions to Problems in Content Playback Mode" [p.127](#)
- "Solving Network Problems" [p.128](#)

If the projector is not working properly, turn it off, unplug it, and then plug it back in and turn it on.

If this does not solve the problem, check the following:

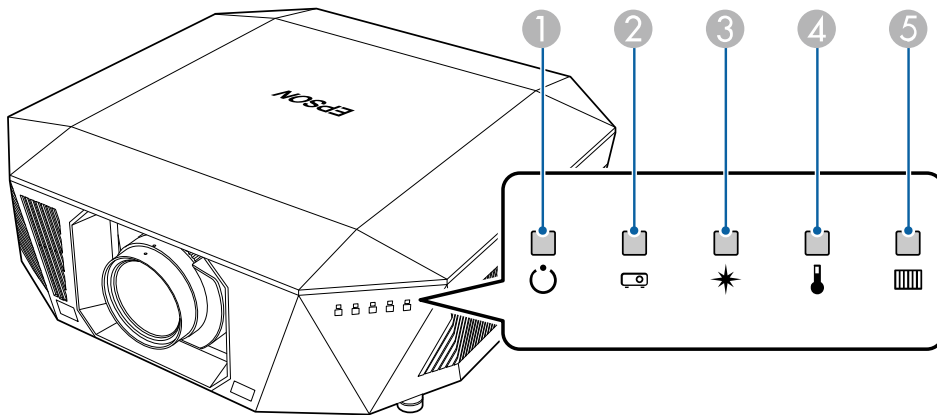
- The indicators on the projector may indicate the problem.
- The solutions in this manual can help you solve many problems.

If none of these solutions help, contact Epson for technical support.

The indicators on the projector indicate the projector status and let you know when a problem occurs. Check the status and color of the indicators and then refer to this table for a solution.







- If the indicators display a pattern not listed in the table below, turn the projector off, unplug it, and contact Epson for help.
- When the **Indicators** setting is set to **Off** in the projector's **Extended** menu, all indicators are off.
 - ☛ **Extended > Operation > Advanced > Indicators**











- ① Power indicator
- ② Status indicator
- ③ Laser indicator
- ④ Temp (temperature) indicator
- ⑤ Filter indicator




Projector status





| Indicator and status | Problem and solutions |
|--|---|
| Power: Lit blue Status: Lit blue Laser: Indicator status varies Temp: Off Filter: Off | Normal operation. |
| Power: Lit blue Status: Flashing blue Laser: Indicator status varies Temp: Off Filter: Off | Warming up. When warming up, wait about 30 seconds for an image to appear. All buttons are disabled during warm-up. |
| Power: Lit blue Status: Flashing blue Laser: Off Temp: Off Filter: Off | Shutting down or cooling down. All buttons are disabled during shutting down and cooling down. |

| Indicator and status | Problem and solutions |
|--|--|
| Power: Lit blue Status: Off Laser: Off Temp: Off Filter: Off  | Monitoring. When you press the power button, projection starts. |
| Power: Off Status: Off Laser: Off Temp: Off Filter: Off  | Standby or sleep mode. When you press the power button, projection starts. |
| Power: Flashing blue Status: Off Laser: Off Temp: Off Filter: Off  | Preparing for the following functions. All features are disabled. <ul style="list-style-type: none"> Monitoring |
| Power: Lit blue Status: Lit blue Laser: Flashing blue Temp: Off Filter: Off  | A/V Mute is in progress. |

| Indicator and status | Problem and solutions |
|---|--|
| Power: Indicator status varies Status: Flashing blue Laser: Flashing orange Temp: Indicator status varies Filter: Indicator status varies  | Refresh Mode is in progress.  Reset > Refresh Mode |
| Power: Flashing blue Status: Indicator status varies Laser: Indicator status varies Temp: Flashing orange Filter: Indicator status varies  | Projector is too hot. <ul style="list-style-type: none"> Make sure that the vents and air filter are not clogged with dust or obstructed by nearby objects. Clean or replace the air filter. Make sure the environmental temperature is not too hot. |
| Power: Off Status: Flashing blue Laser: Off Temp: Lit orange Filter: Off  | Projector has overheated and turned off. Leave it turned off to cool down for 5 minutes. <ul style="list-style-type: none"> Make sure that the vents and air filter are not clogged with dust or obstructed by nearby objects. Make sure the environmental temperature is not too hot. Clean or replace the air filter. If operating the projector at high altitude, set the High Altitude Mode setting to On in the projector's menu.  Extended > Operation > High Altitude Mode If the problem persists, unplug the projector and contact Epson for help. |

| Indicator and status | Problem and solutions |
|---|---|
| Power: Flashing blue Status: Indicator status varies Laser: Flashing orange Temp: Indicator status varies Filter: Indicator status varies  | Laser warning Turn the projector off, unplug it, and contact Epson for help. |
| Power: Flashing blue Status: Indicator status varies Laser: Flashing orange Temp: Indicator status varies Filter: Indicator status varies  | Lens warning An unsupported lens is attached; remove the unsupported lens and attach a lens that is supported. |
| Power: Off Status: Flashing blue Laser: Lit orange Temp: Off Filter: Off  | Laser or retardation plate has a problem. Turn the projector off, unplug it, and contact Epson for help. |

| Indicator and status | Problem and solutions |
|--|--|
| Power: Off Status: Flashing blue Laser: Off Temp: Flashing orange Filter: Off  | A fan or sensor has a problem. Turn the projector off, unplug it, and contact Epson for help. |
| Power: Off Status: Flashing blue Laser: Flashing orange Temp: Off Filter: Off  | Internal projector error Turn the projector off, unplug it, and contact Epson for help. |
| Power: Indicator status varies Status: Indicator status varies Laser: Indicator status varies Temp: Indicator status varies Filter: Flashing orange  | It is time to clean the air filter. |

| Indicator and status | Problem and solutions |
|---|---|
| <p>Power: Flashing blue Status: Indicator status varies Laser: Indicator status varies Temp: Indicator status varies Filter: Lit orange</p>  | <p>Low air flow through the air filter.</p> <ul style="list-style-type: none"> • Make sure that the vents and air filter are not clogged with dust or obstructed by nearby objects. • Clean or replace the air filter. • If the problem persists, unplug the projector and contact Epson for help. |
| <p>Power: Off Status: Flashing blue Laser: Off Temp: Off Filter: Lit orange</p>  | <p>Low air flow through the projector.</p> <ul style="list-style-type: none"> • Make sure that the vents and air filter are not clogged with dust or obstructed by nearby objects. • Clean or replace the air filter. • If the problem persists, unplug the projector and contact Epson for help. |
| <p>Power: Off Status: Flashing blue Laser: Lit orange Temp: Lit orange Filter: Off</p>  | <p>Lens Shift error Supply Voltage error Communication error with AC Micro controller Turn the projector off, unplug it, and contact Epson for help.</p> |
| <p>Power: Off Status: Flashing blue Laser: Lit orange Temp: Lit orange Filter: Off</p>  | <p>A lens has a problem or no lens is installed.</p> <ul style="list-style-type: none"> • Attach a lens. • If the lens is already attached, remove it and then reattach it. • If the problem persists, unplug the projector and contact Epson for help. |

Check the solutions in these sections if you have any problems with projected images or sound.

▶ Related Links

- "Solutions When No Image Appears" [p.121](#)
- "Solutions When "No Signal" Message Appears" [p.121](#)
- "Solutions When "Not Supported" Message Appears" [p.122](#)
- "Solutions When Only a Partial Image Appears" [p.122](#)
- "Solutions When the Image is not Rectangular" [p.122](#)
- "Solutions When the Image Contains Noise or Static" [p.123](#)
- "Solutions When the Image is Fuzzy or Blurry" [p.123](#)
- "Solutions When the Image Brightness or Colors are Incorrect" [p.124](#)
- "Solutions When an Afterimage Remains on the Projected Image" [p.124](#)
- "Solutions to Sound Problems" [p.124](#)

Solutions When No Image Appears

If no image appears, try the following solutions:

- Press the [Shutter] button on the remote control to see if the image was temporarily turned off.
- Make sure all necessary cables are securely connected and the power is on for the projector and connected video sources.
- Press the projector's power button to wake it from standby or sleep mode. Also, check if the connected computer is in sleep mode or displaying a blank screen saver.
- If the projector does not respond when you press the control panel buttons, the buttons may be locked for security. Unlock the buttons in the **Control Panel Lock** setting or use the remote control to turn on the projector.
 - ☛ **Settings > Lock Setting > Control Panel Lock**
- If the projector does not respond when you press any buttons on the projector, an internal error may have occurred in the projector. Contact Epson for help.

- Adjust the **Brightness** setting in the projector's **Image** menu.
- Adjust the brightness of your projector's light source.
 - ☛ **Image > Light Output**
- Make sure **Messages** is set to **On** in the projector's **Extended** menu.
 - ☛ **Extended > Display > Messages**
- The projector may not be able to project copyrighted videos that you play back on a computer. For more details, see the manual supplied with the computer.
- For images projected with Windows Media Center, reduce the screen size from full screen mode.
- For images projected from applications using Windows DirectX, turn off DirectX functions.

Solutions When "No Signal" Message Appears

If the **No Signal** message appears, try the following solutions:

- Press the [Search] (remote control) or [Source Search] (control panel) button on the control panel or remote control until you see the image from the source you want.
- Turn on the connected computer or video source, and press play to begin your presentation, if necessary.
- Check that all cables required for projection are securely connected.
- If you are projecting from a laptop computer, make sure it is set up to display on an external monitor.
- If necessary, turn off the projector and the connected computer or video source, and then turn them back on.
- If you are projecting from an HDMI source, replace the HDMI cable with the shorter one.

► Related Links

- "Displaying From a Windows Laptop" [p.122](#)
- "Displaying From a Mac Laptop" [p.122](#)

Displaying From a Windows Laptop

If the message **No Signal** is displayed when projecting from a laptop, you need to set up the Windows laptop to display on an external monitor.

- 1** Hold down the Windows key and press **P** on your keyboard at the same time, then click **Duplicate**.
- 2** If the same image is not displayed by the laptop and projector, check the Windows **Display** utility to make sure the external monitor port is enabled and extended desktop mode is disabled.
- 3** If necessary, check your video card settings and set the multiple display option to **Mirror** or **Duplicate**.

Displaying From a Mac Laptop

If the message **No Signal** is displayed when projecting from a Mac laptop, you need to set up the laptop for mirrored display. (See your laptop manual for details.)

- 1** Open the System Preferences utility and select **Displays**.
- 2** Select the **Display** or **Color LCD** option, if necessary.
- 3** Click the **Arrange** or **Arrangement** tab.
- 4** Select **Mirror Displays**.

Solutions When "Not Supported" Message Appears

If the message **Not supported** is displayed, try the following solutions:

- Make sure the computer's display resolution does not exceed the projector's resolution and frequency limits. If necessary, select a different display resolution for your computer.

Solutions When Only a Partial Image Appears

If only a partial computer image appears, try the following solutions:

- Change the **Blanking** setting in the projector's **Signal** menu so that the image appears as you expect.
- Check your computer display settings to disable dual display and set the resolution within the projector's limits.
- Check the resolution assigned to your presentation files to see if they are created for a different resolution.
- When projecting in Content Playback mode, make sure you are using the appropriate **Overlay Effect** settings.
 - ☛ **Settings > Content Playback > Overlay Effect**
- Make sure you selected the correct **Projection** setting in the projector's **Extended** menu.

Solutions When the Image is not Rectangular

If the projected image is not evenly rectangular, try the following solutions:

- Place the projector directly in front of the center of the screen, facing it squarely, if possible.
- Press the [Geometry] button on the control panel or remote control to adjust the image shape.

- Adjust the **H/V-Keystone** setting to correct the image shape.
☛ **Settings > Geometry Correction > H/V-Keystone**
- Adjust the **Quick Corner** setting to correct the image shape.
☛ **Settings > Geometry Correction > Quick Corner**
- Adjust the **Curved Surface** setting to correct the corners and sides of an image projected on a curved surface with the same radius.
☛ **Settings > Geometry Correction > Corner Wall**
- Adjust the **Corner Wall** setting to correct the corners and sides of an image projected on a curved surface with right angles.
☛ **Settings > Geometry Correction > Curved Surface**
- Adjust the **Point Correction** setting to correct slight distortion which occurs partially.
☛ **Settings > Geometry Correction > Point Correction**

Solutions When the Image Contains Noise or Static

If the projected image contains electronic interference (noise) or static, try the following solutions:

- Check the cables connecting your computer or video source to the projector. They should be:
 - Separated from the power cord to prevent interference
 - Securely connected at both ends
 - Not connected to an extension cable
- Check the settings in the projector's **Signal** menu to make sure they match the video source.
- Select a computer video resolution and refresh rate that are compatible with the projector.

- If you adjusted the image shape using the projector controls, try decreasing the **Sharpness** setting in the projector's **Image** menu to improve image quality.
- If you connected an extension power cable, try projecting without it to see if it caused interference in the signal.
- Make sure you selected the correct **Video Range** or **EDID** setting in the projector's **Signal** menu, if available for your image source.
 - ☛ **Signal > Advanced > Video Range**
 - ☛ **Signal > Advanced > EDID**
- When interlaced signals are input, line doubler processing is not performed, so the projected image may flicker. We recommend that interlaced signals be progressively converted using an external device before being input.

Solutions When the Image is Fuzzy or Blurry

If the projected image is fuzzy or blurry, try the following solutions:

- Adjust the image focus.
- Position the projector close enough to the screen.
- Position the projector so the keystone adjustment angle is not so wide that it distorts the image.
- Clean the projector lens.



To avoid condensation on the lens after bringing the projector in from a cold environment, let the projector warm up to room temperature before using it.

- Adjust the **Sharpness** setting in the projector's **Image** menu to improve image quality.
- If you are projecting from a computer, use a lower resolution or select a resolution that matches the projector's native resolution.

Solutions When the Image Brightness or Colors are Incorrect

If the projected image is too dark or light, or the colors are incorrect, try the following solutions:

- Press the [Color Mode] button on the remote control to try different color modes for the image and environment.
- Check your video source settings.
- Adjust the available settings in the projector's **Image** menu for the current input source, such as **Brightness**, **Contrast**, **Tint**, and **Color Saturation**.
- Make sure you selected the correct **Video Range** or **EDID** setting in the projector's **Signal** menu, if available for your image source.
 - ☛ **Signal > Advanced > Video Range**
 - ☛ **Signal > Advanced > EDID**
- Make sure you selected the correct **RGBCMY** setting in the projector's **Image** menu.
 - ☛ **Image > Advanced > RGBCMY**
- Make sure all the cables are securely connected to the projector and your video device. If you connected long cables, try connecting shorter cables.
- Make sure **Light Output** is set correctly.
 - ☛ **Image > Light Output**
- Position the projector close enough to the screen.
- When using multiple projectors, make sure **Light Source Calibration** in the **Reset** menu is set correctly in all of the projectors. If light source calibration is performed only in some of the projectors, the white balance and the brightness level of the projected image may differ between the projectors.

Solutions When an Afterimage Remains on the Projected Image

If you see an afterimage in the projected image, use the **Refresh Mode** feature to clear it. Select **Refresh Mode > Start** in the projector's **Reset** menu.

Solutions to Sound Problems

If there is no sound or the volume is too low or high, try the following solutions:

- Adjust the projector's volume settings.
- Press the [Shutter] button on the remote control to resume video and audio if they were temporarily stopped.
- Check your computer or video source to make sure the volume is turned up and the audio output is set for the correct source.
- Check the audio cable connections between the projector and your video source.
- Make sure any connected audio cables are labeled "No Resistance".
- If you do not hear sound from an HDMI source, set the connected device to PCM output.
- When you are connecting the projector to a Mac using an HDMI cable, make sure your Mac supports audio through the HDMI port. If not, you need to connect an audio cable.
- If the volume for the computer is set to the minimum while the projector is set to the maximum, the noise may be mixed. Turn up the computer's volume and turn down the projector's volume. (When you use Epson iProjection (Windows/Mac).)

Check the solutions in these sections if you have problems operating the projector or remote control.

► Related Links

- "Solutions to Projector Power or Shut-Off Problems" [p.125](#)
- "Solutions to Problems with the Remote Control" [p.125](#)
- "Solutions to Password Problems" [p.126](#)
- "Solution When "The Battery that Saves Your Clock Settings is Running Low" Message Appears" [p.126](#)

Solutions to Projector Power or Shut-Off Problems

If the projector does not turn on when you press the power button or it turns off unexpectedly, try the following solutions:

- Make sure the power cord is securely connected to the projector and to a working electrical outlet.
- If the power button on the remote control does not turn on the projector, check its batteries and make sure at least one of the remote receivers are available in the **Remote Receiver** setting in the projector's **Settings** menu.
- The projector's buttons may be locked for security. Unlock the buttons in the **Control Panel Lock** setting or use the remote control to turn on the projector.
- If the projector's light source turns off unexpectedly, it may have entered sleep mode after a period of inactivity. Perform any operation to wake the projector. To turn off sleep mode, set the **Sleep Mode** setting to **Off**.
☛ **Extended > Operation > Sleep Mode**
- If the projector turns off unexpectedly, the A/V mute timer may be enabled. To turn off the A/V mute timer, set the **A/V Mute Timer** setting to **Off**.
☛ **Extended > Operation > A/V Mute Settings > A/V Mute Timer**
- If the projector's light source turns off, the status indicator is flashing, and the temp (temperature) indicator is lit, the projector has overheated and turned off.

- The cooling fans may run in standby status depending on the projector settings. Also, when the projector wakes from standby status, the fans may cause an unexpected noise. This is not a malfunction.
- The power cord may be defective. Disconnect the cord and contact Epson for help.

Solutions to Problems with the Remote Control

If the projector does not respond to remote control commands, try the following solutions:

- Check that the remote control batteries are installed correctly and have power. If necessary, replace the batteries.
- Make sure you are operating the remote control within the reception angle and range of the projector.
- Make sure the projector is not warming up or shutting down.
- Check to see if a button on the remote control is stuck down, causing it to enter sleep mode. Release the button to wake the remote control up.
- Strong fluorescent lighting, direct sunlight, or infrared device signals may be interfering with the projector's remote receivers. Dim the lights or move the projector away from the sun or interfering equipment.
- Make sure at least one of the remote receivers are available in the **Remote Receiver** setting in the projector's **Settings** menu.
- If you assigned an ID number to the projector to operate multiple projectors from the remote control, you may need to check or change the ID setting.
- Set the remote control [ID] switch to **Off**. You can operate all of the projectors regardless of the projector ID settings.
- If you lose the remote control, you can order another one from Epson.

Solutions to Password Problems

If you cannot enter or remember a password, try the following solutions:

- If you have entered an incorrect password too many times and see a message displaying a request code, write down the code and contact Epson for help. Provide the request code and proof of ownership for assistance in unlocking the projector.
- If you lose the remote control you cannot enter a password. Order a new one from Epson.

Attention

If you perform **Reset network settings** in the projector's **Network** menu, all of the passwords that have been set for the **Network** menu are also reset and you need to set them again.

Solution When "The Battery that Saves Your Clock Settings is Running Low" Message Appears

If the message **The battery that saves your clock settings is running low** is displayed, contact Epson for help.

If you cannot play back a playlist correctly, try the following solutions:

- Make sure **Content Playback** is set to **On**.
☛ **Settings > Content Playback > Content Playback**
- Make sure the USB flash drive contains a playlist.
- Make sure the USB flash drive is directly connected to the projector. Do not use a multi-card reader or a USB hub to expand a USB port.
- If the USB flash drive is partitioned, you may not be able to play back playlists. Delete all of the partitions before saving the playlists on the USB flash drive.
- Do not share a playlist between projectors that are different in resolution. Color and shape effects added by using **Overlay Effect** may not be reproduced correctly.
☛ **Settings > Content Playback > Overlay Effect**

Check the solutions in these sections if you have problems using the projector on a network.

► Related Links

- "Solutions When You Cannot Access the Projector Through the Web" [p.128](#)
- "Solutions When the Image Contains Static During Network Projection" [p.128](#)

Solutions When You Cannot Access the Projector Through the Web

If you are unable to access the projector through a Web browser, make sure you are using the correct ID and password.

- For the user ID, enter **EPSONWEB**. (You cannot change the user ID.)
- For the password, enter the password set in the projector's **Network** menu. No password is set by default.
- Make sure you have access to the network the projector is on.
- If your Web browser is set up to connect via a proxy server, the **Epson Web Control** screen cannot be displayed. Make settings for a connection without using a proxy server.
- If you set the **Standby Mode** setting to **Communication On** in the projector's menu in standby mode, make sure the network device is turned on. After turning on the network device, turn on the projector.

☛ Extended > Standby Mode

And connect to a wired LAN.



The user ID and password are case sensitive.

Solutions When the Image Contains Static During Network Projection

If the projected image contains static during network projection, try the following solutions:

- Check for any obstacles between the access point, the computer, the mobile device, and the projector, and change their positions to improve communication.
- Make sure that the access point, the computer, the mobile device and the projector are not too far apart. Move them closer together and try to connect again.
- Check for interference from other equipment, such as a Bluetooth device or microwave. Move the interfering device farther away or expand your wireless bandwidth.
- Reduce the number of connected devices if the connection speed declines.

Appendix

Check these sections for the technical specifications and important notices about your product.

▶ **Related Links**

- "Optional Accessories and Replacement Parts" [p.130](#)
- "Screen Size and Projection Distance" [p.132](#)
- "Projector Specifications" [p.141](#)
- "Supported Features for Epson Projector Content Manager" [p.143](#)
- "List of Safety Symbols and Instructions" [p.144](#)
- "Laser Safety Information" [p.146](#)
- "Glossary" [p.149](#)
- "Notices" [p.151](#)

The following optional accessories and replacement parts are available. Please purchase these products as and when needed.

The following list of optional accessories and replacement parts is current as of: August 2024.

Details of accessories are subject to change without notice and availability may vary depending on the country of purchase.

► Related Links

- "Vanity Board" [p.130](#)
- "Lens" [p.130](#)
- "Lens Housing" [p.130](#)
- "Screens" [p.130](#)
- "Mounts" [p.130](#)
- "External Devices" [p.131](#)
- "Replacement Parts" [p.131](#)

Vanity Board

Vanity board ELPVB05

Cover for the top of the projector.

Lens

ELPLX02S

ELPLX02WS

Ultra short-throw zoom lens.

ELPLU03S

ELPLU04

ELPLU03

Short-throw zoom lens.

ELPLW05

ELPLW08

ELPLW06

Wide-throw zoom lens.

ELPLM08

ELPLM15

ELPLM10

ELPLM11

ELPLM09

Middle-throw zoom lens.

ELPLL08

Long-throw zoom lens.

Lens Housing

Lens housing ELPVB02W/ELPVB03B/ELPVB04C

Lens housing for the ELPLX02S/ELPLX02WS.

Screens

80" portable screen ELPSC24

Portable roll-type screens. (aspect ratio 16:10)

Mounts

Ceiling Mount ELPMB67

Use when installing the projector on a ceiling or a wall.

Low ceiling mount ELPMB47

Use when installing the projector on a low ceiling.

High ceiling mount ELPMB48

Use when installing the projector on a high ceiling.

Suspension Adapter ELPP15

Use when installing the projector on a high ceiling.



Special expertise is required to suspend the projector from a ceiling.
Contact Epson for help.

External Devices

Streaming Media Player ELPAP12

Use this streaming media player to watch online content.

Replacement Parts

Air filter ELPAF46

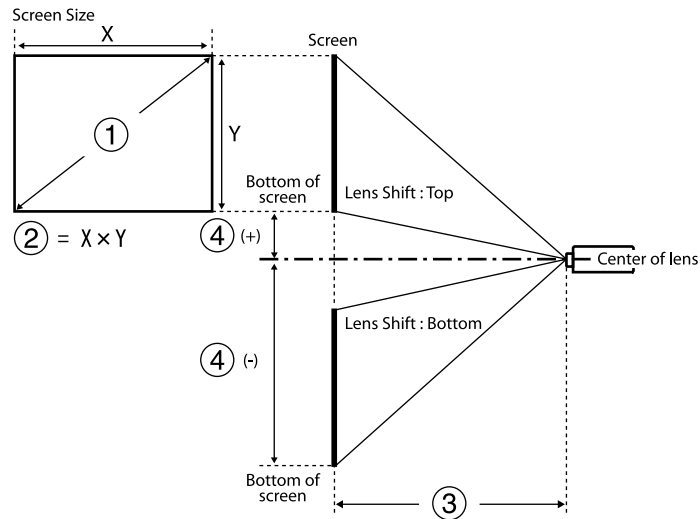
Use as a replacement for used air filters.

Check the tables in these sections to determine how far to place the projector from the screen based on the size of the projected image.

► **Related Links**

- "Projection Distance Formula" [p.132](#)
- "Projection Distance" [p.135](#)

Projection Distance Formula



- ① Screen size (inches)
- ② Screen size (Width \times Height)
- ③ Projection distance (Minimum: Wide to Maximum: Tele)
- ④ Distance from the center of the lens to the bottom of the screen

16:9

| Lens | | Projection distance formula | Throw ratio (projection distance/x) |
|-----------------------|---------|--|-------------------------------------|
| ELPLX02S ELPLX02WS | - | ③ (cm) = ① (inches) \times 0.77 - 3.41 | 0.34 |
| ELPLU03 ELPLU03S | Minimum | ③ (cm) = ① (inches) \times 1.04 - 3.47 | 0.46 - 0.56 |
| | Maximum | ③ (cm) = ① (inches) \times 1.25 - 3.28 | |
| ELPLU04 | Minimum | ③ (cm) = ① (inches) \times 1.40 - 5.23 | 0.62 - 0.75 |
| | Maximum | ③ (cm) = ① (inches) \times 1.69 - 5.30 | |
| ELPLW05 | Minimum | ③ (cm) = ① (inches) \times 1.69 - 7.87 | 0.74 - 1.04 |
| | Maximum | ③ (cm) = ① (inches) \times 2.34 - 5.81 | |
| ELPLW08 | Minimum | ③ (cm) = ① (inches) \times 1.87 - 3.98 | 0.83 - 1.17 |
| | Maximum | ③ (cm) = ① (inches) \times 2.63 - 5.13 | |
| ELPLW06 | Minimum | ③ (cm) = ① (inches) \times 2.60 - 7.47 | 1.15 - 1.57 |
| | Maximum | ③ (cm) = ① (inches) \times 3.53 - 6.97 | |
| ELPLM08 | Minimum | ③ (cm) = ① (inches) \times 2.30 - 5.10 | 1.02 - 1.64 |
| | Maximum | ③ (cm) = ① (inches) \times 3.68 - 4.54 | |

| Lens | Projection distance formula | | Throw ratio (projection distance/x) |
|--------------------|-----------------------------|-------------------------------------|-------------------------------------|
| ELPLM09 ELPLM15 | Minimum | ③ (cm) = ① (inches) × 3.43 - 8.09 | 1.52 - 2.47 |
| | Maximum | ③ (cm) = ① (inches) × 5.54 - 8.00 | |
| ELPLM10 | Minimum | ③ (cm) = ① (inches) × 5.29 - 13.19 | 2.34 - 3.59 |
| | Maximum | ③ (cm) = ① (inches) × 8.05 - 13.07 | |
| ELPLM11 | Minimum | ③ (cm) = ① (inches) × 7.76 - 23.84 | 3.42 - 5.23 |
| | Maximum | ③ (cm) = ① (inches) × 11.75 - 23.54 | |
| ELPLL08 | Minimum | ③ (cm) = ① (inches) × 11.53 - 32.22 | 5.09 - 7.16 |
| | Maximum | ③ (cm) = ① (inches) × 16.10 - 31.78 | |

| Lens | Distance from the center of the lens to the base of the screen |
|---|--|
| ELPLX02S ELPLX02WS | ④ (+) (cm) = ① (inches) × 0.31 ④ (-) (cm) = ① (inches) × 0.06 |
| ELPLU03 ELPLU03S ELPLW05 ELPLM08 | ④ (+) (cm) = ① (inches) × 0.30 ④ (-) (cm) = ① (inches) × 0.94 |

| Lens | Distance from the center of the lens to the base of the screen |
|--|--|
| ELPLU04 ELPLW08 ELPLW06 ELPLM09 ELPLM15 ELPLM10 ELPLM11 ELPLL08 | ④ (+) (cm) = ① (inches) × 0.18 ④ (-) (cm) = ① (inches) × 1.43 |

4:3

| Lens | Projection distance formula | | Throw ratio (projection distance/x) |
|-----------------------|-----------------------------|-----------------------------------|-------------------------------------|
| ELPLX02S ELPLX02WS | - | ③ (cm) = ① (inches) × 0.94 - 3.41 | 0.45 |
| ELPLU03 ELPLU03S | Minimum | ③ (cm) = ① (inches) × 1.27 - 3.47 | 0.61 - 0.74 |
| | Maximum | ③ (cm) = ① (inches) × 1.53 - 3.28 | |
| ELPLU04 | Minimum | ③ (cm) = ① (inches) × 1.72 - 5.23 | 0.82 - 1.00 |
| | Maximum | ③ (cm) = ① (inches) × 2.07 - 5.30 | |
| ELPLW05 | Minimum | ③ (cm) = ① (inches) × 2.07 - 7.87 | 0.99 - 1.38 |
| | Maximum | ③ (cm) = ① (inches) × 2.86 - 5.81 | |
| ELPLW08 | Minimum | ③ (cm) = ① (inches) × 2.29 - 3.98 | 1.11 - 1.56 |

| Lens | Projection distance formula | | Throw ratio (projection distance/x) |
|--------------------|-----------------------------|-------------------------------------|-------------------------------------|
| | Maximum | ③ (cm) = ① (inches) × 3.22 - 5.13 | |
| ELPLW06 | Minimum | ③ (cm) = ① (inches) × 3.18 - 7.47 | 1.53 - 2.09 |
| | Maximum | ③ (cm) = ① (inches) × 4.32 - 6.97 | |
| ELPLM08 | Minimum | ③ (cm) = ① (inches) × 2.81 - 5.10 | 1.36 - 2.18 |
| | Maximum | ③ (cm) = ① (inches) × 4.50 - 4.54 | |
| ELPLM09 ELPLM15 | Minimum | ③ (cm) = ① (inches) × 4.19 - 8.09 | 2.03 - 3.30 |
| | Maximum | ③ (cm) = ① (inches) × 6.78 - 8.00 | |
| ELPLM10 | Minimum | ③ (cm) = ① (inches) × 6.48 - 13.19 | 3.13 - 4.78 |
| | Maximum | ③ (cm) = ① (inches) × 9.85 - 13.07 | |
| ELPLM11 | Minimum | ③ (cm) = ① (inches) × 9.50 - 23.84 | 4.56 - 6.97 |
| | Maximum | ③ (cm) = ① (inches) × 14.38 - 23.54 | |
| ELPLL08 | Minimum | ③ (cm) = ① (inches) × 14.11 - 32.22 | 6.79 - 9.55 |
| | Maximum | ③ (cm) = ① (inches) × 19.71 - 31.78 | |

| Lens | Distance from the center of the lens to the base of the screen |
|--|--|
| ELPLX02S ELPLX02WS | ④ (+) (cm) = ① (inches) × 0.38 ④ (-) (cm) = ① (inches) × 0.08 |
| ELPLU03 ELPLU03S ELPLW05 ELPLM08 | ④ (+) (cm) = ① (inches) × 0.37 ④ (-) (cm) = ① (inches) × 1.16 |
| ELPLU04 ELPLW08 ELPLW06 ELPLM09 ELPLM15 ELPLM10 ELPLM11 ELPLL08 | ④ (+) (cm) = ① (inches) × 0.22 ④ (-) (cm) = ① (inches) × 1.75 |

16:10

| Lens | Projection distance formula | | Throw ratio (projection distance/x) |
|-----------------------|-----------------------------|-----------------------------------|-------------------------------------|
| ELPLX02S ELPLX02WS | - | ③ (cm) = ① (inches) × 0.83 - 3.41 | 0.37 |
| ELPLU03 ELPLU03S | Minimum | ③ (cm) = ① (inches) × 1.13 - 3.47 | 0.51 - 0.62 |
| | Maximum | ③ (cm) = ① (inches) × 1.35 - 3.28 | |
| ELPLU04 | Minimum | ③ (cm) = ① (inches) × 1.52 - 5.23 | 0.68 - 0.83 |
| | Maximum | ③ (cm) = ① (inches) × 1.83 - 5.30 | |

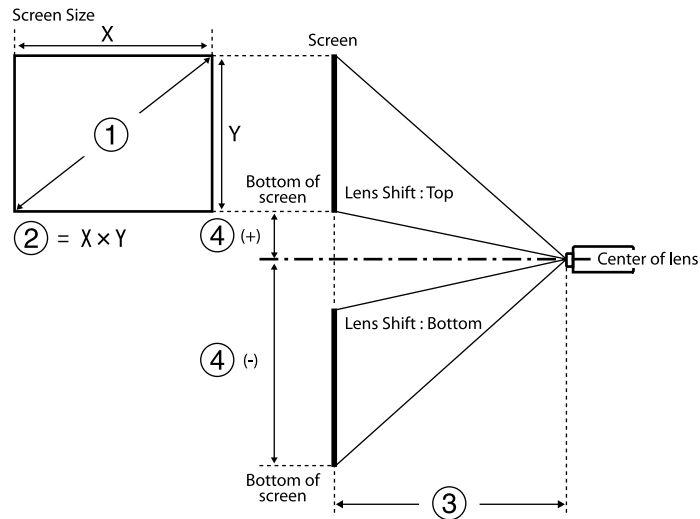
| Lens | Projection distance formula | | Throw ratio (projection distance/x) |
|--------------------|-----------------------------|-------------------------------------|-------------------------------------|
| ELPLW05 | Minimum | ③ (cm) = ① (inches) × 1.83 - 7.87 | 0.82 - 1.15 |
| | Maximum | ③ (cm) = ① (inches) × 2.52 - 5.81 | |
| ELPLW08 | Minimum | ③ (cm) = ① (inches) × 2.02 - 3.98 | 0.93 - 1.30 |
| | Maximum | ③ (cm) = ① (inches) × 2.84 - 5.13 | |
| ELPLW06 | Minimum | ③ (cm) = ① (inches) × 2.815 - 7.47 | 1.27 - 1.74 |
| | Maximum | ③ (cm) = ① (inches) × 3.81 - 6.97 | |
| ELPLM08 | Minimum | ③ (cm) = ① (inches) × 2.48 - 5.10 | 1.14 - 1.82 |
| | Maximum | ③ (cm) = ① (inches) × 3.98 - 4.54 | |
| ELPLM09 ELPLM15 | Minimum | ③ (cm) = ① (inches) × 3.70 - 8.09 | 1.69 - 2.75 |
| | Maximum | ③ (cm) = ① (inches) × 5.98 - 8.00 | |
| ELPLM10 | Minimum | ③ (cm) = ① (inches) × 5.72 - 13.19 | 2.61 - 3.99 |
| | Maximum | ③ (cm) = ① (inches) × 8.70 - 13.07 | |
| ELPLM11 | Minimum | ③ (cm) = ① (inches) × 8.39 - 23.84 | 3.80 - 5.81 |
| | Maximum | ③ (cm) = ① (inches) × 12.71 - 23.54 | |

| Lens | Projection distance formula | | Throw ratio (projection distance/x) |
|---------|-----------------------------|-------------------------------------|-------------------------------------|
| ELPLL08 | Minimum | ③ (cm) = ① (inches) × 12.46 - 32.22 | 5.66 - 7.96 |
| | Maximum | ③ (cm) = ① (inches) × 17.41 - 31.78 | |

| Lens | Distance from the center of the lens to the base of the screen |
|--|--|
| ELPLX02S ELPLX02WS | ④ (+) (cm) = ① (inches) × 0.34 ④ (-) (cm) = ① (inches) × 0.07 |
| ELPLU03 ELPLU03S ELPLW05 ELPLM08 | ④ (+) (cm) = ① (inches) × 0.33 ④ (-) (cm) = ① (inches) × 1.02 |
| ELPLU04 ELPLW08 ELPLW06 ELPLM09 ELPLM15 ELPLM10 ELPLM11 ELPLL08 | ④ (+) (cm) = ① (inches) × 0.20 ④ (-) (cm) = ① (inches) × 1.54 |

Projection Distance

The projection distances are approximate values.



- ① Screen size (inches)
- ② Screen size (Width × Height) (cm)
- ③ Projection distance (Minimum: Wide to Maximum: Tele) (cm)
- ④ Distance from the center of the lens to the bottom of the screen (cm)

When you project an over 500 inches image, the image may become a little bit blurred.

16:9

ELPLX02S/ELPLX02WS

| ① | ② | ③ | ④ |
|--------|----------------|--------------------|---------|
| Inches | Width × Height | ELPLX02S/ELPLX02WS | |
| 100 | 221 × 125 | 73 | -6 - 31 |
| 110 | 244 × 137 | 81 | -7 - 34 |
| 120 | 266 × 149 | 89 | -7 - 38 |

| ① | ② | ③ | ④ |
|--------|----------------|--------------------|-----------|
| Inches | Width × Height | ELPLX02S/ELPLX02WS | |
| 150 | 332 × 187 | 112 | -9 - 47 |
| 200 | 443 × 249 | 150 | -12 - 63 |
| 300 | 664 × 374 | 227 | -19 - 94 |
| 500 | 1107 × 623 | 380 | -31 - 157 |
| 600 | 1328 × 747 | 457 | -37 - 188 |
| 800 | 1771 × 996 | 611 | -50 - 251 |
| 1000 | 2214 × 1245 | 764 | -62 - 313 |

ELPLU03/ELPLU03S/ELPLM08

| ① | ② | ③ | | ④ |
|--------|----------------|---------------------|-----------|-------------|
| Inches | Width × Height | ELPLU03 ELPLU03S | ELPLM08 | |
| 80 | 177 × 100 | 80-97 | 179-290 | -76 - -24 |
| 100 | 221 × 125 | 101-122 | 225-363 | -94 - -30 |
| 120 | 266 × 149 | 121-147 | 271-437 | -113 - -36 |
| 150 | 332 × 187 | 153-184 | 340-547 | -142 - -45 |
| 200 | 443 × 249 | 205-247 | 455-731 | -189 - -60 |
| 250 | 553 × 311 | 257-309 | 570-915 | -236 - -75 |
| 300 | 664 × 374 | 309-372 | 684-1099 | -283 - -90 |
| 500 | 1107 × 623 | 517-622 | 1144-1835 | -472 - -150 |
| 800 | 1771 × 996 | 830-998 | 1834-2939 | -756 - -241 |
| 1000 | 2214 × 1245 | 1038-1248 | 2293-3674 | -945 - -301 |

ELPLU04/ELPLW06/ELPLW08/ELPLM09/ELPLM15/ELPLM10/ELPLM11/ ELPLL08

| ① | ② | ③ | | | | | | | ④ |
|--------|----------------|-----------|-----------|-----------|--------------------|-----------|------------|-------------|-------------|
| Inches | Width × Height | ELPLU04 | ELPLW06 | ELPLW08 | ELPLM09 ELPLM15 | ELPLM10 | ELPLM11 | ELPLL08 | |
| 60 | 133 × 75 | 79-96 | 148-205 | 108-153 | 198-324 | 304-470 | 442-682 | 659-934 | -86 - 11 |
| 80 | 177 × 100 | 107-130 | 200-275 | 146-205 | 266-435 | 410-631 | 597-917 | 890-1256 | -114 - 14 |
| 100 | 221 × 125 | 135-164 | 252-346 | 183-258 | 335-546 | 516-791 | 752-1152 | 1121-1578 | -143 - 18 |
| 120 | 266 × 149 | 163-198 | 304-416 | 220-310 | 403-656 | 622-952 | 908-1387 | 1351-1900 | -171 - 22 |
| 150 | 332 × 187 | 205-249 | 382-522 | 276-389 | 506-822 | 781-1194 | 1140-1740 | 1697-2384 | -214 - 27 |
| 200 | 443 × 249 | 276-333 | 512-699 | 370-520 | 677-1099 | 1046-1596 | 1529-2327 | 2273-3189 | -285 - 36 |
| 300 | 664 × 374 | 416-503 | 772-1052 | 557-783 | 1020-1653 | 1575-2400 | 2305-3503 | 3426-4799 | -428 - 54 |
| 500 | 1107 × 623 | 697-841 | 1291-1757 | 931-1309 | 1705-2760 | 2634-4010 | 3857-5853 | 5732-8019 | -713 - 90 |
| 800 | 1771 × 996 | 1119-1349 | 2070-2816 | 1491-2097 | 2733-4421 | 4222-6423 | 6186-9380 | 9190-12850 | -1141 - 145 |
| 1000 | 2214 × 1245 | 1399-1688 | 2589-3522 | 1865-2623 | 3419-5528 | 5280-8032 | 7738-11730 | 11496-16070 | -1426 - 181 |

ELPLW05

| ① | ② | ③ | ④ |
|--------|----------------|---------|-----------|
| Inches | Width × Height | ELPLW05 | |
| 60 | 133 × 75 | 94-134 | -57 - -18 |

| ① | ② | ③ | ④ |
|--------|----------------|-----------|-------------|
| Inches | Width × Height | ELPLW05 | |
| 80 | 177 × 100 | 128-181 | -76 - -24 |
| 100 | 221 × 125 | 161-228 | -94 - -30 |
| 120 | 266 × 149 | 195-274 | -113 - -36 |
| 150 | 332 × 187 | 246-344 | -142 - -45 |
| 200 | 443 × 249 | 331-461 | -189 - -60 |
| 300 | 664 × 374 | 500-695 | -283 - -90 |
| 500 | 1107 × 623 | 839-1162 | -472 - -150 |
| 800 | 1771 × 996 | 1346-1862 | -756 - -241 |
| 1000 | 2214 × 1245 | 1685-2329 | -945 - -301 |

4:3

ELPLX02S/ELPLX02WS

| ① | ② | ③ | ④ |
|--------|----------------|--------------------|-----------|
| Inches | Width × Height | ELPLX02S/ELPLX02WS | |
| 100 | 203 × 152 | 91 | -8 - 38 |
| 110 | 224 × 168 | 100 | -8 - 42 |
| 120 | 244 × 183 | 109 | -9 - 46 |
| 150 | 305 × 229 | 138 | -11 - 58 |
| 200 | 406 × 305 | 185 | -15 - 77 |
| 300 | 610 × 457 | 278 | -23 - 115 |
| 500 | 1016 × 762 | 466 | -38 - 192 |
| 600 | 1219 × 914 | 560 | -46 - 230 |
| 800 | 1626 × 1219 | 748 | -61 - 307 |

ELPLU03/ELPLU03S/ELPLM08

| ① | ② | ③ | | ④ |
|--------|----------------|---------------------|-----------|-------------|
| Inches | Width × Height | ELPLU03 ELPLU03S | ELPLM08 | |
| 80 | 163 × 122 | 98-119 | 220-356 | -92 - -29 |
| 100 | 203 × 152 | 124-150 | 276-446 | -116 - -37 |
| 120 | 244 × 183 | 149-180 | 332-536 | -139 - -44 |
| 150 | 305 × 229 | 188-226 | 417-671 | -173 - -55 |
| 200 | 406 × 305 | 251-303 | 558-896 | -231 - -74 |
| 250 | 508 × 381 | 315-380 | 698-1121 | -289 - -92 |
| 300 | 610 × 457 | 379-456 | 839-1346 | -347 - -110 |
| 500 | 1016 × 762 | 634-762 | 1401-2247 | -578 - -184 |
| 800 | 1626 × 1219 | 1016-1222 | 2245-3597 | -925 - -294 |

ELPLU04/ELPLW06/ELPLW08/ELPLM15/ELPLM09/ELPLM10/ELPLM11/ELPLL08

| ① | ② | ③ | | | | | | | ④ |
|--------|----------------|-------------|-------------|-------------|----------------------------|-------------|-------------|-------------|-----------|
| Inches | Width × Height | ELPL U04 | ELPL W06 | ELPL W08 | ELPL M15 ELPL M09 | ELPL M10 | ELPL M11 | ELPLL 08 | |
| 60 | 122 × 91 | 98-119 | 183-252 | 133-188 | 244-399 | 376-578 | 546-840 | 814-1151 | -105 - 13 |
| 80 | 163 × 122 | 132-160 | 247-338 | 179-252 | 327-534 | 505-775 | 736-1127 | 1096-1545 | -140 - 18 |
| 100 | 203 × 152 | 167-202 | 310-425 | 225-316 | 411-670 | 635-972 | 926-1415 | 1379-1939 | -175 - 22 |
| 120 | 244 × 183 | 201-243 | 374-511 | 271-381 | 495-805 | 764-1168 | 1116-1703 | 1661-2333 | -209 - 27 |

| ① | ② | ③ | | | | | | | ④ |
|--------|----------------|-------------|-------------|-------------|----------------------------|-------------|-------------|-------------|-------------|
| Inches | Width × Height | ELPL U04 | ELPL W06 | ELPL W08 | ELPL M15 ELPL M09 | ELPL M10 | ELPL M11 | ELPLL 08 | |
| 150 | 305 × 229 | 253-306 | 469-641 | 339-477 | 621-1008 | 959-1464 | 1401-2134 | 2084-2924 | -262 - 33 |
| 200 | 406 × 305 | 339-409 | 628-857 | 453-638 | 831-1347 | 1283-1956 | 1876-2853 | 2789-3909 | -349 - 44 |
| 300 | 610 × 457 | 511-616 | 946-1289 | 682-960 | 1250-2025 | 1930-2941 | 2826-4292 | 4200-5880 | -524 - 66 |
| 500 | 1016 × 762 | 854-1031 | 1582-2152 | 1140-1603 | 2089-3380 | 3226-4910 | 4726-7169 | 7022-9821 | -873 - 111 |
| 800 | 1626 × 1219 | 1370-1652 | 2535-3448 | 1826-2568 | 3347-5412 | 5170-7864 | 7576-11484 | 11254-15733 | -1396 - 177 |

ELPLW05

| ① | ② | ③ | ④ |
|--------|----------------|-----------|-------------|
| Inches | Width × Height | ELPLW05 | |
| 60 | 122 × 91 | 116-166 | -69 - -22 |
| 80 | 163 × 122 | 158-223 | -92 - -29 |
| 100 | 203 × 152 | 199-280 | -116 - -37 |
| 120 | 244 × 183 | 241-337 | -139 - -44 |
| 150 | 305 × 229 | 303-423 | -173 - -55 |
| 200 | 406 × 305 | 406-566 | -231 - -74 |
| 300 | 610 × 457 | 614-825 | -347 - -110 |
| 500 | 1016 × 762 | 1028-1423 | -578 - -184 |
| 800 | 1626 × 1219 | 1650-2280 | -925 - -294 |

16:10

ELPLX02S/ELPLX02WS

| ① | ② | ③ | ④ |
|--------|----------------|--------------------|-----------|
| Inches | Width × Height | ELPLX02S/ELPLX02WS | |
| 100 | 215 × 135 | 80 | -7 - 34 |
| 110 | 237 × 148 | 88 | -7 - 37 |
| 120 | 258 × 162 | 96 | -8 - 41 |
| 150 | 323 × 202 | 121 | -10 - 51 |
| 200 | 431 × 269 | 163 | -14 - 68 |
| 300 | 646 × 404 | 246 | -20 - 102 |
| 500 | 1077 × 673 | 412 | -34 - 169 |
| 600 | 1292 × 808 | 495 | -41 - 203 |
| 800 | 1723 × 1077 | 661 | -54 - 271 |

ELPLU03/ELPLU03S/ELPLM08

| ① | ② | ③ | | ④ |
|--------|----------------|---------------------|-----------|-------------|
| Inches | Width × Height | ELPLU03 ELPLU03S | ELPLM08 | |
| 80 | 172 × 108 | 87-105 | 194-314 | -82 - -26 |
| 100 | 215 × 135 | 109-132 | 243-393 | -102 - -33 |
| 120 | 258 × 162 | 132-159 | 293-473 | -123 - -39 |
| 150 | 323 × 202 | 165-200 | 368-592 | -153 - -49 |
| 200 | 431 × 269 | 222-267 | 492-791 | -204 - -65 |
| 250 | 538 × 337 | 278-335 | 616-990 | -255 - -81 |
| 300 | 646 × 404 | 334-402 | 740-1189 | -306 - -98 |
| 500 | 1077 × 673 | 559-673 | 1237-1984 | -511 - -163 |

| ① | ② | ③ | | ④ |
|--------|----------------|---------------------|-----------|-------------|
| Inches | Width × Height | ELPLU03 ELPLU03S | ELPLM08 | |
| 800 | 1723 × 1077 | 897-1079 | 1983-3177 | -817 - -260 |

ELPLU04/ELPLW06/ELPLW08/ELPLM09/ELPLM15/ELPLM10/ELPLM11/
ELPLL08

| ① | ② | ③ | | | | | | | ④ |
|--------|----------------|-------------|-------------|-------------|----------------------------|-------------|-------------|-------------|-------------|
| Inches | Width × Height | ELPL U04 | ELPL W06 | ELPL W08 | ELPL M09 ELPL M15 | ELPL M10 | ELPL M11 | ELPLL 08 | |
| 60 | 129 × 81 | 86-105 | 161-222 | 117-165 | 214-351 | 330-509 | 480-739 | 716-1013 | -92 - 12 |
| 80 | 172 × 108 | 116-141 | 217-298 | 158-222 | 288-471 | 445-683 | 647-993 | 965-1361 | -123 - 16 |
| 100 | 215 × 135 | 147-178 | 273-374 | 198-279 | 362-590 | 559-857 | 815-1247 | 1214-1709 | -154 - 20 |
| 120 | 258 × 162 | 177-214 | 329-451 | 238-336 | 436-710 | 674-1031 | 983-1501 | 1463-2057 | -185 - 23 |
| 150 | 323 × 202 | 223-269 | 414-565 | 299-421 | 548-890 | 845-1292 | 1235-1882 | 1837-2579 | -231 - 29 |
| 200 | 431 × 269 | 298-361 | 554-756 | 400-563 | 733-1189 | 1131-1726 | 1654-2518 | 2460-3450 | -308 - 39 |
| 300 | 646 × 404 | 450-544 | 835-1137 | 602-847 | 1103-1787 | 1704-2596 | 2493-3788 | 3706-5190 | -462 - 59 |
| 500 | 1077 × 673 | 754-910 | 1396-1900 | 1006-1415 | 1844-2984 | 2848-4336 | 4172-6330 | 6199-8672 | -771 - 98 |
| 800 | 1723 × 1077 | 1210-1459 | 2238-3045 | 1612-2268 | 2956-4780 | 4565-6945 | 6689-10142 | 9938-13894 | -1233 - 156 |

ELPLW05

| ① | ② | ③ | ④ |
|--------|----------------|-----------|-------------|
| Inches | Width × Height | ELPLW05 | |
| 60 | 129 × 81 | 102-146 | -61 - -20 |
| 80 | 172 × 108 | 139-196 | -82 - -26 |
| 100 | 215 × 135 | 175-247 | -102 - -33 |
| 120 | 258 × 162 | 212-297 | -123 - -39 |
| 150 | 323 × 202 | 267-373 | -153 - -49 |
| 200 | 431 × 269 | 358-499 | -204 - -65 |
| 300 | 646 × 404 | 541-752 | -306 - -98 |
| 500 | 1077 × 673 | 907-1256 | -511 - -163 |
| 800 | 1723 × 1077 | 1456-2014 | -817 - -260 |

| | |
|---|---|
| Product name | EH-QL7000B/EH-QL7000W/EH-QL3000B/EH-QL3000W |
| Dimensions | 568 (W) × 181 (H) × 568 (D) mm (not including raised section) |
| Projection system | RGB liquid crystal shutter |
| LCD panel size | 1.04" |
| Display method | 3LCD |
| Number of pixels | Full HD (1920 (W) × 1080 (H) dots) × 3 |
| Screen Resolution | 4K 8,294,400 pixels (1,920 × 1,080 × 4) |
| Focus adjustment | Powered |
| Zoom adjustment | 1.0 to 1.6 (Optical Zoom) |
| Projection lens | Optional lens supported. Standard lens: ELPLM15 |
| Lens Shift | Powered Maximum vertical direction: Approx. ±64% Maximum horizontal direction: Approx. ±16% |
| Light source | Laser diode |
| Light source output power | EH-QL7000W/EH-QL7000B: Max. 252 W EH-QL3000W/EH-QL3000B: Max. 194 W |
| Wavelength of Light source | 449 to 461 nm |
| Laser class (internal laser light source) | Class 4 |
| Light source operation time * | Up to about 20,000 hours |

| | |
|---|--|
| Brightness** | EH-QL7000W/EH-QL7000B: 10,000 lm EH-QL3000W/EH-QL3000B: 6,000 lm |
| Contrast ratio | 5,000,000:1 exceeded (Dynamic Contrast Normal/High Speed) |
| Color reproducibility | Up to 1,070 million colors (Depends on the interface) |
| Scanning frequency | HDMI1/2: Horizontal: 26.97 to 270 kHz Vertical: 23.98/24/25/29.97/30/50/59.94/60/120 Hz |
| Power supply | EH-QL7000W/EH-QL7000B: 100 - 240 V AC ±10% 50/60 Hz 6.4-2.9 A EH-QL3000W/EH-QL3000B: 100 - 240 V AC ±10% 50/60 Hz 4.6-2.1 A |
| Operating power consumption (100 to 120 V area) | EH-QL7000W/EH-QL7000B: when the light source brightness is 100%: 636 W when the light source brightness is 40%: 328 W EH-QL3000W/EH-QL3000B: when the light source brightness is 100%: 453 W when the light source brightness is 70%: 357 W |
| Operating power consumption (220 to 240 V area) | EH-QL7000W/EH-QL7000B: when the light source brightness is 100%: 612 W when the light source brightness is 40%: 318 W EH-QL3000W/EH-QL3000B: when the light source brightness is 100%: 437 W when the light source brightness is 70%: 346 W |
| Standby power consumption | Communication On: 2.0 W Communication Off: 0.5 W |

| | |
|--|--|
| Thermal output (max.) | EH-QL7000W/EH-QL7000B: 100 to 120 V area: 2,162 BTU/h 220 to 240 V area: 2,081 BTU/h EH-QL3000W/EH-QL3000B: 100 to 120 V area: 1,540 BTU/h 220 to 240 V area: 1,486 BTU/h |
| Air flow (max.) | 169 CFM |
| Operating altitude | Altitude 0 to 3,048 m |
| Operating temperature (when using a single projector installation) *** | Altitude of 0 to 2,286 m: 5 to + 35°C (Humidity of 20 to 80%, No condensation) Altitude of 2,287 to 3,048 m: 5 to + 30°C (Humidity of 20 to 80%, No condensation) |
| Storage temperature | -10 to +60°C (Humidity of 10 to 90%, No condensation) |
| Mass (not including lens) | Approx. 21.1 kg |
| Network | RJ45 (10BASE-TX/10BASE-T) × 1 |

* Approximate time until the light source brightness decreases to half of its original value. (Assuming the projector is being used in an environment containing airborne particles of 0.04 mg/m³ or less. This is an approximate guide only and may change depending on the projector's usage and surroundings.)

** The specifications are when the standard lens is attached.

*** Light source brightness automatically dims if the surrounding temperature gets too high.

This product is also designed for IT power distribution system with phase-to-phase voltage 230V.

Angle of tilt

There is no vertical or horizontal limit to how the projector can be installed.

▶▶ Related Links

- "Connector Specifications" [p.142](#)

Connector Specifications

| | | |
|----------------|---|-------------------------|
| USB-A port | 2 | USB connector (Type A) |
| Service port | 1 | USB connector (Mini-B) |
| Audio Out port | 1 | Stereo mini pin jack |
| LAN port | 1 | RJ-45 |
| HDMI1 port | 1 | HDMI |
| HDMI2 port | 1 | HDMI |
| RS-232C port | 1 | Mini D-Sub 9-pin (male) |










USB-A and Service port supports USB 2.0. However, USB ports are not guaranteed to operate all devices that support USB.







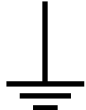
Your projector supports the following features and options of the Epson Projector Content Manager software.



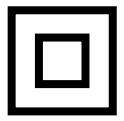


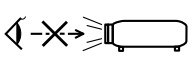


| Features/Options | | EH-QL7000B/EH-QL7000W/EH-QL3000B/EH-QL3000W |
|--|-------------|---|
| Simultaneous playback | | - |
| Save the playlist to the projector via a network | | ✓ |
| Settings > Video Format | Auto Select | ✓ |
| | AVI Format | ✓ |
| | MP4 Format | - |




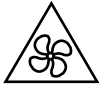




When creating a project for this projector using the Epson Projector Content Manager software, select **Full HD (1920x1080)** as the **Projector Resolution**.

The following table lists the meaning of the safety symbols labeled on the equipment.

| No. | Symbol mark | Approved standards | Description |
|-----|---|---------------------------------------|--|
| 1 |  | IEC60417 No. 5007 | "ON" (power) To indicate connection to the mains. |
| 2 |  | IEC60417 No. 5008 | "OFF" (power) To indicate disconnection from the mains. |
| 3 |  | IEC60417 No. 5009 | Stand-by To identify the switch or switch position by means of which part of the equipment is switched on in order to bring it into the stand-by condition. |
| 4 |  | ISO7000 No. 0434B, IEC3864-B3.1 | Caution To identify general caution when using the product. |
| 5 |  | IEC60417 No. 5041 | Caution, hot surface To indicate that the marked item can be hot and should not be touched without taking care. |
| 6 |  | IEC60417 No. 6042 ISO3864-B3.6 | Caution, risk of electric shock To identify equipment that has risk of electric shock. |
| 7 |  | IEC60417 No. 5957 | For indoor use only To identify electrical equipment designed primarily for indoor use. |

| No. | Symbol mark | Approved standards | Description |
|-----|---|-----------------------|---|
| 8 |  | IEC60417 No. 5926 | Polarity of d.c. power connector To identify the positive and negative connections (the polarity) on a piece of equipment to which a d.c. power supply may be connected. |
| 9 |  | — | The same as No. 8. |
| 10 |  | IEC60417 No. 5001B | Battery, general On battery powered equipment. To identify a device for instance a cover for the battery compartment, or the connector terminals. |
| 11 |  | IEC60417 No. 5002 | Positioning of cell To identify the battery holder itself and to identify the positioning of the cell(s) inside the battery holder. |
| 12 |  | — | The same as No. 11. |
| 13 |  | IEC60417 No. 5019 | Protective earth To identify any terminal which is intended for connection to an external conductor for protection against electric shock in case of a fault, or the terminal of a protective earth electrode. |
| 14 |  | IEC60417 No. 5017 | Earth To identify an earth (ground) terminal in cases where neither the symbol No. 13 is explicitly required. |

| No. | Symbol mark | Approved standards | Description |
|-----|---|-----------------------|---|
| 15 |  | IEC60417 No. 5032 | Alternating current To indicate on the rating plate that the equipment is suitable for alternating current only; to identify relevant terminals. |
| 16 |  | IEC60417 No. 5031 | Direct current To indicate on the rating plate that the equipment is suitable for direct current only; to identify relevant terminals. |
| 17 |  | IEC60417 No. 5172 | Class II equipment To identify equipment meeting the safety requirements specified for Class II equipment according to IEC 61140. |
| 18 |  | ISO 3864 | General prohibition To identify actions or operations that are prohibited. |
| 19 |  | ISO 3864 | Contact prohibition To indicate injury that could occur due to touching a specific part of the equipment. |
| 20 |  | — | Never look into the optical lens while the projector is on. |
| 21 |  | — | To indicate that the marked item don't place anything on projector. |
| 22 |  | ISO3864 IEC60825-1 | Caution, laser radiation To indicate the equipment has a laser radiation part. |

| No. | Symbol mark | Approved standards | Description |
|-----|---|---------------------------------|---|
| 23 |  | ISO 3864 | Disassembly prohibition To indicate a risk of injury, such as electric shock, if the equipment is disassembled. |
| 24 |  | IEC60417 No. 5266 | Standby, partial standby To indicate that part of the equipment is in the ready status. |
| 25 |  | ISO3864 IEC60417 No. 5057 | Caution, movable parts To indicate that you must keep away from movable parts according to protection standards. |
| 26 |  | IEC60417 No. 6056 | Caution (Moving Fan Blades) As a safety precaution, stay away from the moving fan blades. |
| 27 |  | IEC60417 No. 6043 | Caution (Sharp Corners) To indicate sharp corners that should not be touched. |
| 28 |  | — | To indicate that looking into the lens while projecting is prohibited. |
| 29 |  | ISO7010 No. W027 ISO 3864 | Warning, Optical radiation (such as UV, visible radiation, IR) Taking care to avoid injury to eyes and skin when in the vicinity of optical radiation. |
| 30 |  | IEC60417 No. 5109 | Not to be used in residential areas. To identify electrical equipment which is not suitable for a residential area. |

This projector is a Class 1 laser product that complies with the IEC60825-1:2014 and EN60825-1:2014 + A11:2021 international standards for lasers.

Follow these safety instructions when using the projector.

Warning

- Do not open the projector's case. The projector contains a high-powered laser.
- Possibly hazardous optical radiation emitted from this product. Do not look at operating light source. Eye injury may result.
- As with any bright source, do not stare into the beam, RG2 IEC/EN 62471-5:2015.
- No direct exposure to the beam shall be permitted.
- Incorrect installation may cause the bright light that can damage your eyes.

Caution

Do not disassemble the projector when disposing of it. Dispose according to your local or national laws and regulations.



The projector uses a laser as the light source. The laser has the following characteristics.

- Depending on the surroundings, the brightness of the light source may decline. The brightness declines a lot when the temperature gets too high.
- The brightness of the light source declines the longer it is used. You can change the relationship between usage time and decline in light output settings.

▶ Related Links

- "Laser Warning Labels" [p.146](#)

Laser Warning Labels

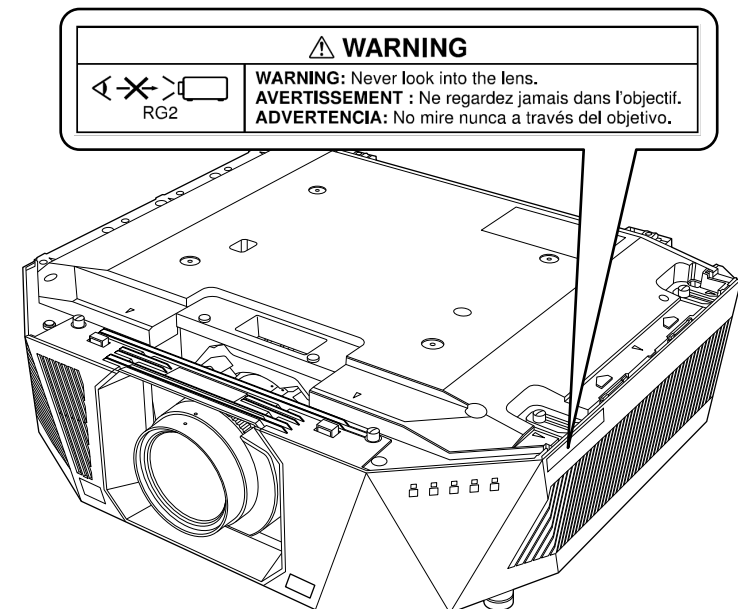
Laser warning labels are attached on the projector.

Inside

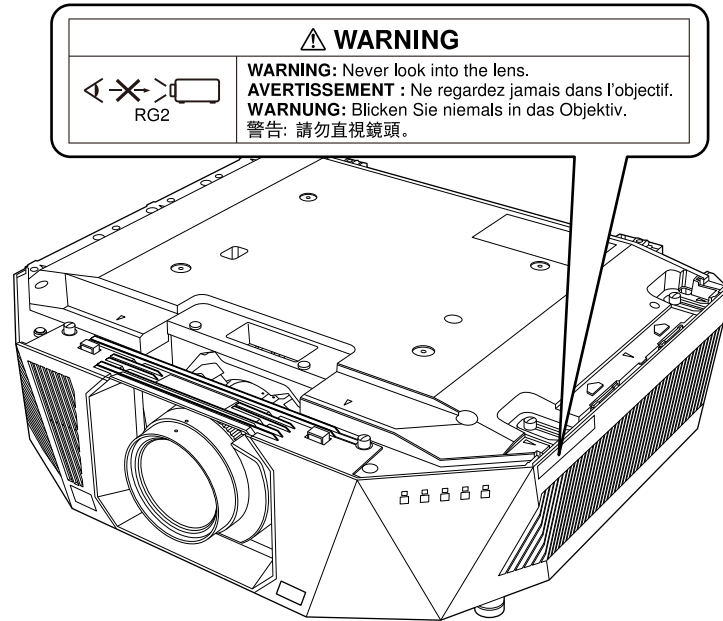


Side

EH-QL7000B/EH-QL7000W



EH-QL3000B/EH-QL3000W



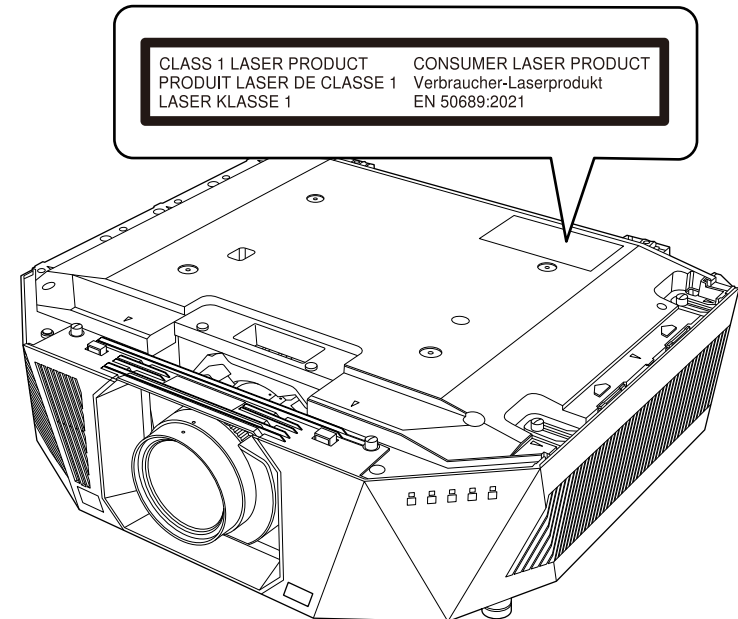
- Never look into the projector lens when the laser is on. This can damage your eyes and is especially dangerous for children and pets.
- When turning on the projector at a distance using the remote control, make sure no one is looking into the lens.
- Do not allow small children to operate the projector. Children must be accompanied by an adult.
- Do not look into the lens during projection. Also, do not look into the lens using optical devices, such as a magnifying glass or telescope. This could cause visual impairment.

Top

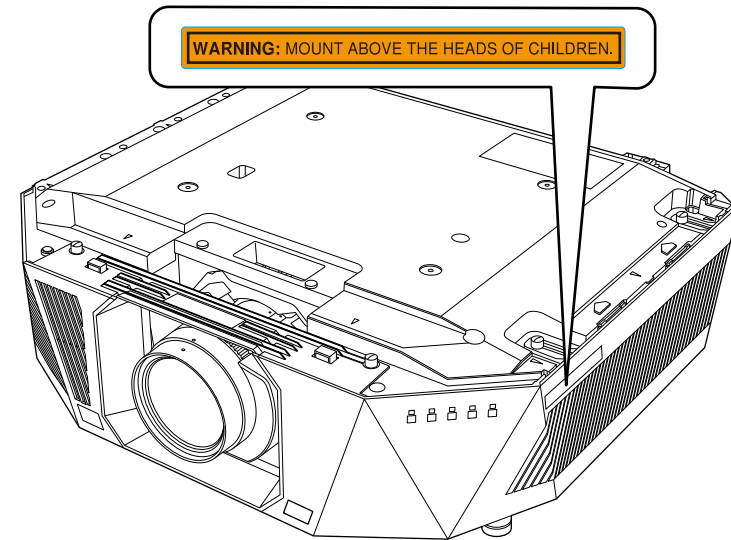
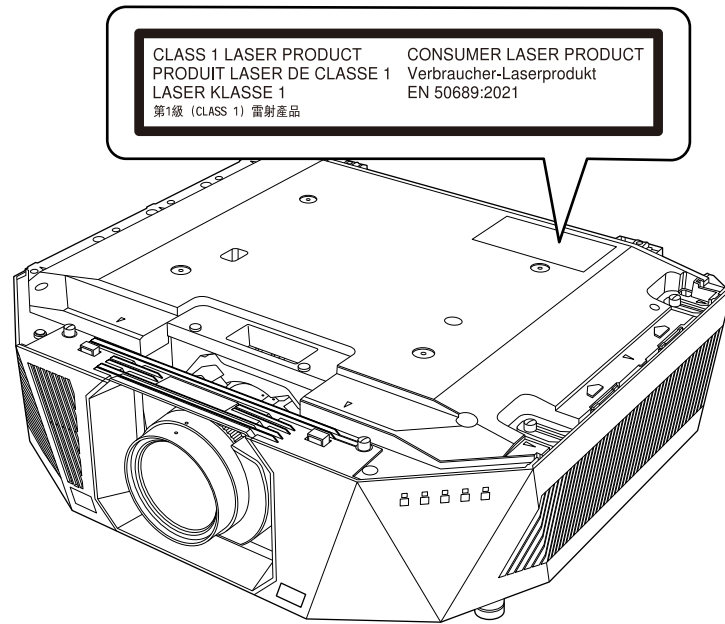
This projector is a consumer Class 1 laser product that complies with EN50689:2021 standard.

This projector is the product that projects images onto walls, screens, etc. The label attached on the projector varies depending on the countries and regions.

EH-QL7000B/EH-QL7000W



EH-QL3000B/EH-QL3000W



For North/South America

Warning

MOUNT ABOVE THE HEADS OF CHILDREN. The use of a ceiling mount is recommended with this product to place it above the eyes of children.

Complies with FDA performance standards for laser products except for conformance as a Risk Group 2 LIP as defined in IEC 62471-5: Ed. 1.0. For more information see Laser Notice No. 57, dated May 8, 2019.

This section briefly explains the difficult terms that are not explained in the text of this guide. For details, refer to other commercially available publications.

| | |
|-----------------|---|
| Aspect Ratio | The ratio between an image's length and its height. Screens with a horizontal:vertical ratio of 16:9, such as HDTV screens, are known as wide screens. SDTV and general computer displays have an aspect ratio of 4:3. |
| Contrast | The relative brightness of the light and dark areas of an image can be increased or decreased to make text and graphics stand out more clearly, or to make them appear softer. Adjusting this particular property of an image is called contrast adjustment. |
| DHCP | An abbreviation of Dynamic Host Configuration Protocol, this protocol automatically assigns an IP address to equipment connected to a network. |
| Gateway Address | This is a server (router) for communicating across a network (subnet) divided according to subnet mask. |
| HDCP | HDCP is an abbreviation for High-bandwidth Digital Content Protection. It is used to prevent illegal copying and protect copyrights by encrypting digital signals sent over DVI and HDMI ports. Because the HDMI port on this projector supports HDCP, it can project digital images protected by HDCP technology. However, the projector may not be able to project images protected with updated or revised versions of HDCP encryption. |
| HDMI™ | An abbreviation for High Definition Multimedia Interface. HDMI™ is a standard aimed at digital consumer electronics and computers. This is the standard by which HD images and multichannel audio signals are digitally transmitted. By not compressing the digital signal, the image can be transferred at the highest quality possible. It also provides an encryption function for the digital signal. |

| | |
|--------------|---|
| HDTV | An abbreviation for High-Definition Television that refers to high-definition systems which satisfy the following conditions: <ul style="list-style-type: none"> • Vertical resolution of 720p or 1080i or greater (p = Progressive, i = Interlace) • Screen aspect ratio of 16:9 |
| Interlace | Transmits information needed to create one screen by sending every other line, starting from the top of the image and working down to the bottom. Images are more likely to flicker because one frame is displayed every other line. |
| IP Address | A number to identify a computer connected to a network. |
| Progressive | Projects information to create one screen at a time, displaying the image for one frame. Even though the number of scan lines is the same, the amount of flicker in images decreases because the volume of information has doubled compared with an interlace system. |
| Refresh Rate | The light-emitting element of a display maintains the same luminosity and color for an extremely short time. Because of this, the image must be scanned many times per second to refresh the light-emitting element. The number of refresh operations per second is called the Refresh rate and is expressed in hertz (Hz). |
| SDTV | An abbreviation for Standard Definition Television that refers to standard television systems which do not satisfy the conditions for HDTV High-Definition Television. |
| SSID | SSID is identification data for connecting to another device on a wireless LAN. Wireless communication is possible between devices with the same SSID. |
| Subnet Mask | This is a numerical value that defines the number of bits used for the network address on a divided network (subnet) from the IP address. |

| | |
|-------|--|
| Sync. | <p>The signals output from computers have a specific frequency. If the projector frequency does not match this frequency, the resulting images are not of a good quality.</p> <p>The process of matching the phases of these signals (the relative position of the crests and the troughs in the signal) is called Synchronization.</p> <p>If the signals are not synchronized, flickering, blurriness, and horizontal interference occur.</p> |
|-------|--|

Check these sections for important notices about your projector.

► **Related Links**

- "FCC Compliance Statement" [p.151](#)
- "Indication of the manufacturer and the importer in accordance with requirements of EU directive" [p.152](#)
- "Indication of the manufacturer and the importer in accordance with requirements of United Kingdom directive" [p.152](#)
- "Restriction of Use" [p.152](#)
- "Operating System References" [p.152](#)
- "Trademarks" [p.153](#)
- "Copyright Notice" [p.153](#)
- "Copyright Attribution" [p.153](#)

FCC Compliance Statement

Supplier's DECLARATION of CONFORMITY

According to 47CFR, Part 2 and 15

Class B Personal Computers and Peripherals; and/or CPU Boards and Power Supplies used with Class B Personal Computers

We: Epson America, Inc.

Located at: 3131 Katella Avenue, Los Alamitos, CA

Tel: 562-981-3840

Declare under sole responsibility that the product identified herein, complies with 47CFR Part 2 and 15 of the FCC rules as a Class B digital device. Each product marketed, is identical to the representative unit tested and found to be compliant with the standards. Records maintained continue to reflect the equipment being produced can be expected to be within the variation accepted, due to quantity production and testing on a statistical basis as required by 47CFR 2.906. Operation is subject to the following two conditions: (1) this device may not cause harmful interference, and (2) this device must accept

any interference received, including interference that may cause undesired operation.

Trade Name: EPSON

Type of Product: LCD Projector

Model: HB46B/HB34B

Options:

| | |
|-------------------|--------------------|
| Product name | Model |
| Remote controller | 2232598 xx (x=0-9) |

FCC Compliance Statement For United States Users

This device complies with part 15 of the FCC Rules. Operation is subject to the following two conditions: (1) This device may not cause harmful interference, and (2) this device must accept any interference received, including interference that may cause undesired operation.

This equipment has been tested and found to comply with the limits for a Class B digital device, pursuant to Part 15 of the FCC Rules. These limits are designed to provide reasonable protection against harmful interference in a residential installation. This equipment generates, uses, and can radiate radio frequency energy and, if not installed and used in accordance with the instructions, may cause harmful interference to radio communications. However, there is no guarantee that interference will not occur in a particular installation. If this equipment does cause interference to radio and television reception, which can be determined by turning the equipment off and on, the user is encouraged to try to correct the interference by one or more of the following measures.

- Reorient or relocate the receiving antenna.
- Increase the separation between the equipment and receiver.
- Connect the equipment into an outlet on a circuit different from that to which the receiver is connected.
- Consult the dealer or an experienced radio/TV technician for help.

WARNING

The connection of a non-shielded equipment interface cable to this equipment will invalidate the FCC Certification or Declaration of this device and may cause interference levels which exceed the limits established by the FCC for this equipment. It is the responsibility of the user to obtain and use a shielded equipment interface cable with this device. If this equipment has more than one interface connector, do not leave cables connected to unused interfaces. Changes or modifications not expressly approved by the manufacturer could void the user's authority to operate the equipment.

Statement for Canadian EMC Rules

For Canadian Users

CAN ICES(B) / NMB(B)

Indication of the manufacturer and the importer in accordance with requirements of EU directive

Manufacturer: SEIKO EPSON CORPORATION
 Address: 3-5, Owa 3-chome, Suwa-shi, Nagano-ken 392-8502 Japan
 Telephone: 81-266-52-3131
<http://www.epson.com/>

Importer: EPSON EUROPE B.V.
 Address: Atlas Arena, Asia Building, Hoogoorddreef 5, 1101 BA Amsterdam Zuidoost
 The Netherlands
 Telephone: 31-20-314-5000
<http://www.epson.eu/>

Indication of the manufacturer and the importer in accordance with requirements of United Kingdom directive

Manufacturer: SEIKO EPSON CORPORATION
 Address: 3-5, Owa 3-chome, Suwa-shi, Nagano-ken 392-8502 Japan
 Telephone: 81-266-52-3131
<http://www.epson.com/>

Importer: Epson (UK) Ltd.
 Address: Westside, London Road, Hemel Hempstead, Hertfordshire, HP3 9TD,
 United Kingdom
<http://www.epson.co.uk>

Restriction of Use

When this product is used for applications requiring high reliability/safety such as transportation devices related to aviation, rail, marine, automotive etc.; disaster prevention devices; various safety devices etc; or functional/precision devices etc, you should use this product only after giving consideration to including fail-safes and redundancies into your design to maintain safety and total system reliability. Because this product was not intended for use in applications requiring extremely high reliability/safety such as aerospace equipment, main communication equipment, nuclear power control equipment, or medical equipment related to direct medical care etc, please make your own judgment on this product's suitability after a full evaluation.

Operating System References

- Microsoft® Windows® 8.1 operating system
- Microsoft® Windows® 10 operating system

- Microsoft® Windows® 11 operating system

In this guide, the operating systems above are referred to as "Windows 8.1" and "Windows 10". Furthermore, the collective term "Windows" is used to refer to them all.

- macOS 10.13.x
- macOS 10.14.x
- macOS 10.15.x
- macOS 11.0.x
- macOS 12.0.x

In this guide, the collective term "Mac" is used to refer to all of the operating systems above.

Trademarks

Mac, OS X, and macOS are trademarks of Apple Inc.

Microsoft and Windows are trademarks or registered trademarks of Microsoft Corporation in the United States and/or other countries.

WPA2® and WPA3® are trademarks of Wi-Fi Alliance®.

App Store is a service mark of Apple Inc.

Chrome, Chromebook, and Google Play are trademarks of Google LLC.

HDMI, the HDMI Logo and High-Definition Multimedia Interface are trademarks or registered trademarks of HDMI Licensing Administrator, Inc.



"QR Code" is a registered trademark of DENSO WAVE INCORPORATED.

PJLink trademark is a trademark applied for registration or is already registered in Japan, the United States of America and other countries and areas.

Crestron®, Crestron Connected®, Crestron Fusion®, Crestron Control®, and Crestron RoomView® are registered trademarks of Crestron Electronics, Inc.

Intel® is a registered trademark of Intel Corporation in the U.S. and/or other countries.

Other product names used herein are also for identification purposes only and may be trademarks of their respective owners. Epson disclaims any and all rights in those marks.

Copyright Notice

All rights reserved. No part of this publication may be reproduced, stored in a retrieval system, or transmitted in any form or by any means, electronic, mechanical, photocopying, recording, or otherwise, without the prior written permission of Seiko Epson Corporation. No patent liability is assumed with respect to the use of the information contained herein. Neither is any liability assumed for damages resulting from the use of the information contained herein.

Neither Seiko Epson Corporation nor its affiliates shall be liable to the purchaser of this product or third parties for damages, losses, costs, or expenses incurred by the purchaser or third parties as a result of: accident, misuse, or abuse of this product or unauthorized modifications, repairs, or alterations to this product, or (excluding the U.S.) failure to strictly comply with Seiko Epson Corporation's operating and maintenance instructions.

Seiko Epson Corporation shall not be liable against any damages or problems arising from the use of any options or any consumable products other than those designated as Original Epson Products or Epson Approved Products by Seiko Epson Corporation.

The contents of this guide may be changed or updated without further notice. Illustrations in this guide and the actual projector may differ.

Copyright Attribution

This information is subject to change without notice.

© 2024 Seiko Epson Corporation

2024.8 414526400EN