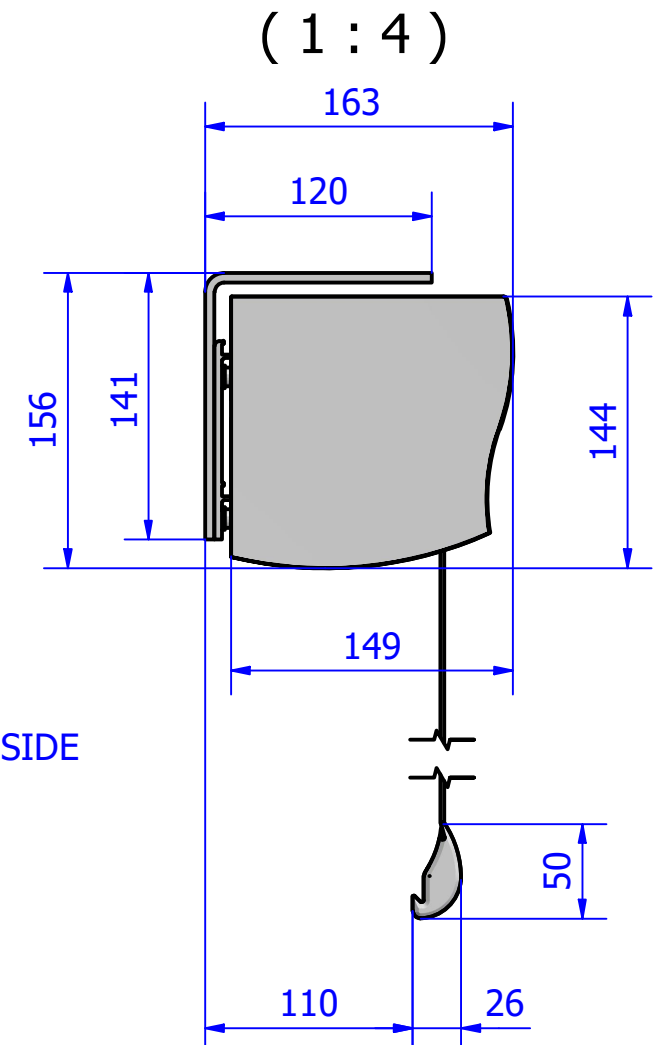


MOTOR

VIEWING SIDE



(1 : 4)

Dimensions are in mm.
Depending on the required fabric, a welding line may be present.
Please note that all dimensions are subject to conventional industry tolerances.

SCREENLINE
the screen makes the difference

Description: Wave Tens		Codice univoco: WT300#0504	Product Code: WT300GRA
Weight: 29 kg	Shipping weight: 35 kg	Drawer: S. S. A.	VCode: UT-0006171.iam
Encumbrance: 318x17x16 cm		Date: 19/02/2024	Sheet: A3
Shipping dimensions: 338x23x23 cm		Scale: 1 : 20	